



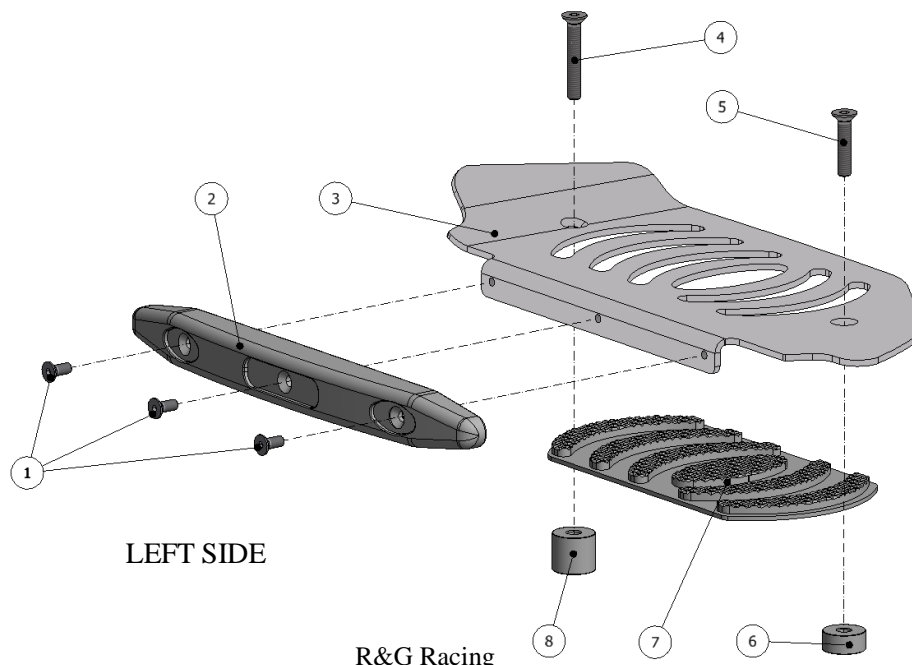
FITTING INSTRUCTIONS FOR TP0023BK FOOTBOARD SLIDERS
YAMAHA T-MAX 530 '17-



THIS KIT CONTAINS THE ITEMS PICTURED AND LABELLED BELOW.
DO NOT PROCEED UNTIL YOU ARE SURE ALL PARTS ARE PRESENT.

Please note that the way the kit is packed does not necessarily represent the way of mounting to the bike.

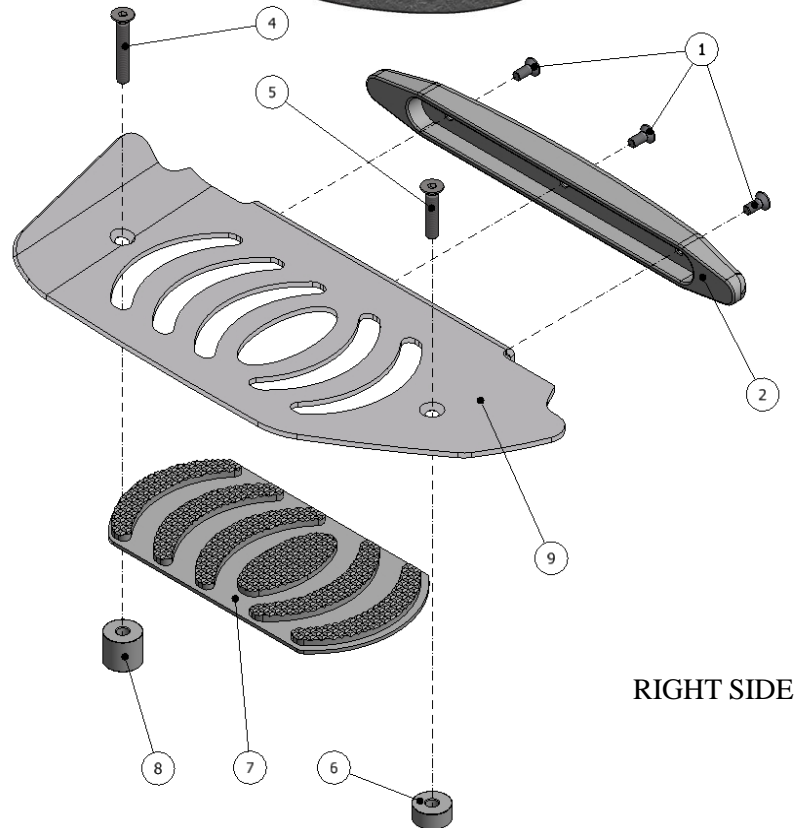
THE PARTS SHOWN MAY BE REPRESENTATIVE ONLY (FOR CLARITY OF INSTRUCTIONS ONLY).



LEFT SIDE

R&G Racing

Unit 1, Shelley's Lane, East Worldham, Alton, Hampshire, GU34 3AQ
Tel: +44 (0)1420 89007 Fax: +44 (0)1420 87301 www.rg-racing.com Email: info@rg-racing.com



RIGHT SIDE

LEGEND

- ITEM 1 = M5x12mm LONG COUNTERSUNK BOLTS (x6).
ITEM 2 = SLIDER (SL0007) (x2).
ITEM 3 = MOUNTING PLATE LEFT SIDE (SMW0102) (x1).
ITEM 4 = M6x40mm LONG COUNTERSUNK BOLTS (x2).
ITEM 5 = M6x30mm LONG COUNTERSUNK BOLTS (x2).
ITEM 6 = SPACER (S1078) 9mm LONG (x2).
ITEM 7 = RUBBER INSERT (RG0033) (x2).
ITEM 8 = SPACER (S1077) 17.5mm LONG (x2).
ITEM 9 = MOUNTING PLATE RIGHT SIDE (SMW0103) (x1).

Please note that in cases where kits are packed with rubber washers holding the components onto the bolt – *the rubber washers should be thrown away!*

TOOLS REQUIRED

- Set of metric Allen keys to include 3 & 4mm A/F sizes.
- 10mm Socket and wrench.



PICTURE 1



PICTURE 2



PICTURE 3



PICTURE 4



PICTURE 5

FITTING INSTRUCTIONS

- To fit the left side, remove the OEM rubber foot piece and remove the two 10mm bolts that are now accessible, as arrowed in picture 1.
- On the scooter, position one 17.50mm long spacer (item 8) in the front mounting bolt recess and one 9mm long spacer (item 6) in the rearward mount, as shown in pictures 2 & 3.



- Take the left side mounting plate (item 3 – SMW0102) and fit the rubber insert (item 7 – RG0033) into the cut-outs from the back, before fitting to the scooter, as shown in picture 4.
- Fit the two bolts through the mounting plate, then through the spacers before tightening into the threaded bosses on the frame, ensuring the longer bolt (item 4) is fitted to the front hole, as shown in picture 4.
- Fit the slider (item 2) using three of the M5 countersunk bolts (item 1). Fit the bolts through the slider and screw into the mounting plate and tighten, as shown in picture 5.
- Ensure both bolts are tightened evenly.
- Place the reflective bubble stickers into recesses to cover the bolt heads.
- To fit the right side, follow the same procedure as above.

ISSUE 1 12/10/2017 (AR)

CONSUMER NOTICE

The catalogue description and any exhibition of samples are only broad indications of the Products and R&G may make design changes which do not diminish their performance or visual appeal and supplying them in such state shall conform to the order. The Buyer acknowledges no representation or warranty (other than as to title) has been given or will apply to the Products other than those in R&G's order or confirmation and the Buyer confirms it has chosen the Products as being of merchantable quality and suitable for its particular purposes. Where R&G fits the Products or undertakes other services it shall exercise reasonable skill and care and rectify any fault free of charge unless the workmanship has been disturbed. The Buyer is responsible for ensuring that the warranty on the motorcycle is not affected by the fitting of the Products. On return of any defective Products R&G shall at its option either supply a replacement or refund the purchase money but shall not be liable if the Products have been modified or used or maintained otherwise than in accordance with R&G's or manufacturer's instructions and good engineering practice or if the defect arises from accident or neglect. Other than identified above and subject to R&G not limiting its liability for causing death and personal injury, it shall not be liable for indirect or consequential loss and otherwise its liability shall be limited to the amounts paid by the Buyer for the Products or the fitting or service concerned. These terms do not affect the Buyer's statutory rights.

R&G RACING RETURNS POLICY (NON-FAULTY GOODS)

Returns must be pre-authorized (if not pre-authorized the return will be rejected). Goods may only be returned direct to us if they were purchased direct from us (customer must prove if necessary). Otherwise to be returned to original vendor. Goods must be in re-sellable condition, in the opinion of R&G Racing. All returns are subject to a 25% restocking and handling fee (25% of the gross value exc. P&P – at the prevailing price at time of purchase). The customer must pay any and all carriage charges. No returns of discontinued products, unless within 14 days of purchase. This policy does not affect your statutory rights and does not refer to faulty goods.



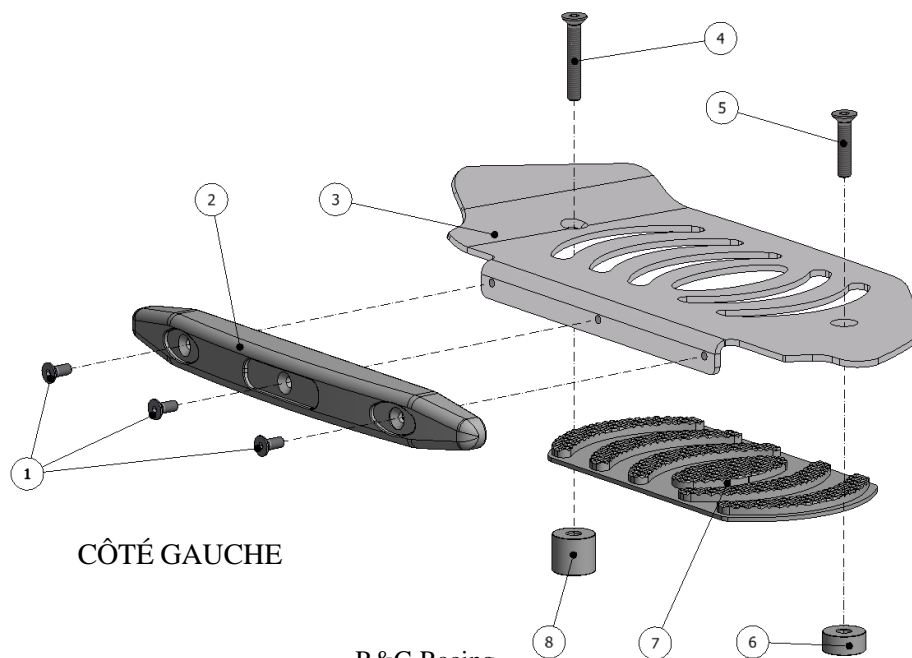
NOTICE DE MONTAGE POUR TP0023BK SLIDERS DE REPOSE PIED
YAMAHA T-MAX 530 '17-



Le kit contient les articles exposés ci-dessous, vérifier que toutes les pièces soient présentes avant de procéder au montage.

La façon dont le kit est emballé ne correspond pas forcément à la façon de monter les pièces sur la moto.

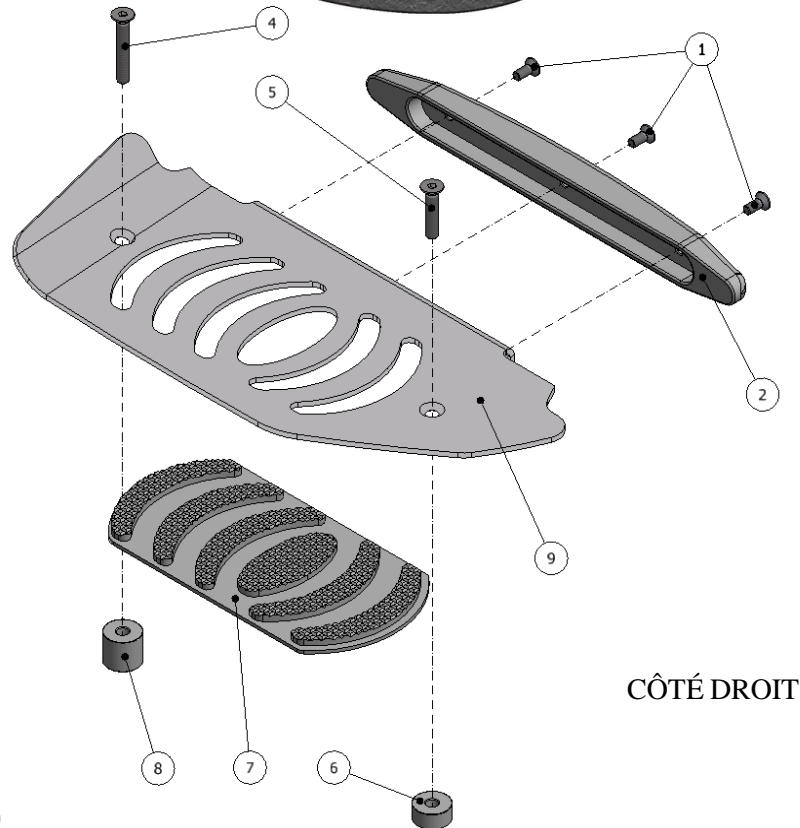
LES PARTIES PRESENTEES PEUVENT ETRE UNIQUEMENT REPRESENTATIVES (POUR LA CLARTE DES INSTRUCTIONS UNIQUEMENT).



CÔTÉ GAUCHE

R&G Racing

Unit 1, Shelley's Lane, East Worldham, Alton, Hampshire, GU34 3AQ
Tel: +44 (0)1420 89007 Fax: +44 (0)1420 87301 www.rg-racing.com Email: info@rg-racing.com



LÉGENDE

- ARTICLE 1 = M5x12mm BOULONS (x6).
ARTICLE 2 = SLIDER (SL0007) (x2).
ARTICLE 3 = PLAQUE DE MONTAGE CÔTÉ GAUCHE (SMW0102) (x1).
ARTICLE 4 = M6x40mm BOULONS (x2).
ARTICLE 5 = M6x30mm BOULONS (x2).
ARTICLE 6 = ENTRETOISE (S1078) 9mm DE LONG (x2).
ARTICLE 7 = INSERT EN CAOUTCHOUC (RG0033) (x2).
ARTICLE 8 = ENTRETOISE (S1077) 17.50mm DE LONG (x2).
ARTICLE 9 = PLAQUE DE MONTAGE CÔTÉ DROIT (SMW0103) (x1).

Notez que si les kits sont emballés avec des rondelles en caoutchouc servant à tenir les composants, *ces rondelles doivent être jetées !*

OUTILS REQUIS

- Clés Allen 3 & 4mm.
- Clé à cliquet + douille 10mm.



PHOTO 1



PHOTO 2



PHOTO 3



PHOTO 4



PHOTO 5



NOTICE DE MONTAGE

- Pour monter la protection du côté gauche, enlever la pièce en caoutchouc d'origine et enlever les 2 boulons qui sont à présents accessibles, voir photo 1.
- Sur le scooter, insérer une entretoise de 17.50mm (article 8) dans le creux des 2 boulons de fixation avant et une entretoise 9mm (article 6) dans le support le plus reculé, voir photos 2 & 3.
- Prendre la plaque de montage du côté gauche (article 3 – SMW0102) puis monter l'insert en caoutchouc (article 7 – RG0033) dans les ouvertures du bas, avant de la monter sur le scooter, voir photo 4.
- Insérer les 2 boulons dans la plaque de montage, puis dans les entretoises avant de serrer dans les patrons filetés du cadre, en veillant à ce que le boulon le plus long (article 4) soit inséré dans le trou avant, voir photo 4.
- Monter le slider (article 2) en utilisant 3 boulons M5 (article 1). Insérer les boulons dans le slider puis visser dans la plaque de montage avant de serrer, voir photo 5.
- Veiller à ce que les 2 boulons soient serrés de façon identique.
- Placer les stickers réflecteurs en caoutchouc dans les creux afin de cacher les têtes de boulon.
- Suivre la même procédure pour le montage du côté droit.

ISSUE 1 12/10/2017 (AR)

CONSUMER NOTICE

The catalogue description and any exhibition of samples are only broad indications of the Products and R&G may make design changes which do not diminish their performance or visual appeal and supplying them in such state shall conform to the order. The Buyer acknowledges no representation or warranty (other than as to title) has been given or will apply to the Products other than those in R&G's order or confirmation and the Buyer confirms it has chosen the Products as being of merchantable quality and suitable for its particular purposes. Where R&G fits the Products or undertakes other services it shall exercise reasonable skill and care and rectify any fault free of charge unless the workmanship has been disturbed. The Buyer is responsible for ensuring that the warranty on the motorcycle is not affected by the fitting of the Products. On return of any defective Products R&G shall at its option either supply a replacement or refund the purchase money but shall not be liable if the Products have been modified or used or maintained otherwise than in accordance with R&G's or manufacturer's instructions and good engineering practice or if the defect arises from accident or neglect. Other than identified above and subject to R&G not limiting its liability for causing death and personal injury, it shall not be liable for indirect or consequential loss and otherwise its liability shall be limited to the amounts paid by the Buyer for the Products or the fitting or service concerned. These terms do not affect the Buyer's statutory rights.

R&G RACING RETURNS POLICY (NON-FAULTY GOODS)

Returns must be pre-authorized (if not pre-authorized the return will be rejected). Goods may only be returned direct to us if they were purchased direct from us (customer must prove if necessary). Otherwise to be returned to original vendor. Goods must be in re-sellable condition, in the opinion of R&G Racing. All returns are subject to a 25% restocking and handling fee (25% of the gross value exc. P&P – at the prevailing price at time of purchase). The customer must pay any and all carriage charges. No returns of discontinued products, unless within 14 days of purchase. This policy does not affect your statutory rights and does not refer to faulty goods.



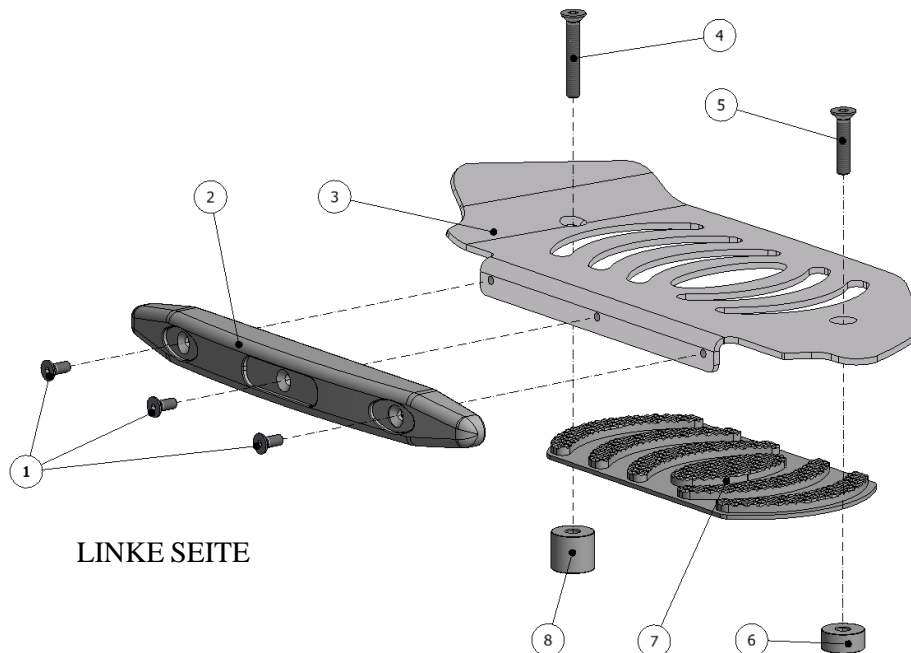
MONTAGEANLEITUNG FÜR TP0023BK TRITTBRETTSCHUTZ
YAMAHA T-MAX 530 '17-



ALLE TEILE SIND UNTEN ABGEBILDET UND GEKENNZEICHNET. BEVOR SIE MIT DER MONTAGE BEGINNEN, ÜBERPRÜFEN SIE, DASS ALLE TEILE VORHANDEN SIND.

Hinweis: Die Verpackung der Teile stellt nicht die Reihenfolge der Montage dar.

DIE UNTEN ABGEBILDETEN TEILE DIENEN LEDIGLICH ZUR ERKLÄRUNG.



R&G Racing

Unit 1, Shelley's Lane, East Worldham, Alton, Hampshire, GU34 3AQ

Tel: +44 (0)1420 89007 Fax: +44 (0)1420 87301 www.rg-racing.com Email: info@rg-racing.com



ABBILDUNG 1



ABBILDUNG 2



ABBILDUNG 3



ABBILDUNG 4



ABBILDUNG 5



MONTAGEANLEITUNG

- Um die linke Seite zu montieren, entfernen Sie das original Trittgummi und entfernen Sie die zwei 10mm Schrauben, die jetzt zugänglich sind – siehe Abbildung 1.
- Positionieren Sie einen 17,50mm Distanzhalter (Artikel 8) in der vorderen Vertiefung für die Befestigungsschraube und einen 9mm Distanzhalter (Artikel 6) an der hinteren Befestigung – siehe Abbildungen 2 & 3.
- Nehmen Sie die Montageplatte für die linke Seite (Artikel 3 – SMW0102) und montieren Sie die Gummieinlage (Artikel 7 – RG0033) in den Ausschnitten (von hinten einsetzen), bevor Sie sie am Roller montieren – siehe Abbildung 4.
- Die zwei Schrauben durch die Montageplatte, dann durch die Distanzhalter und anschließend in die Gewindeeinsätze am Rahmen einführen und befestigen. Bitte darauf achten, dass die längere Schraube (Artikel 4) in der vorderen Öffnung montiert ist, wie in Abbildung 4 abgebildet.
- Montieren Sie den Trittbrettschutz (Artikel 2) mit den drei M5 Senkschrauben (Artikel 1). Die Schrauben durch den Trittbrettschutz führen und in die Montageplatte eindrehen und befestigen –siehe Abbildung 5.
- Überprüfen Sie, dass beide Schrauben gleichmäßig festgezogen sind.
- Montieren Sie die Bubble-Aufkleber in den Vertiefungen, um die Schraubenköpfe abzudecken.
- Wiederholen Sie den Vorgang an der rechten Seite.

AUSGABE 1 12/10/2017 (AR)

CONSUMER NOTICE

The catalogue description and any exhibition of samples are only broad indications of the Products and R&G may make design changes which do not diminish their performance or visual appeal and supplying them in such state shall conform to the order. The Buyer acknowledges no representation or warranty (other than as to title) has been given or will apply to the Products other than those in R&G's order or confirmation and the Buyer confirms it has chosen the Products as being of merchantable quality and suitable for its particular purposes. Where R&G fits the Products or undertakes other services it shall exercise reasonable skill and care and rectify any fault free of charge unless the workmanship has been disturbed. The Buyer is responsible for ensuring that the warranty on the motorcycle is not affected by the fitting of the Products. On return of any defective Products R&G shall at its option either supply a replacement or refund the purchase money but shall not be liable if the Products have been modified or used or maintained otherwise than in accordance with R&G's or manufacturer's instructions and good engineering practice or if the defect arises from accident or neglect. Other than identified above and subject to R&G not limiting its liability for causing death and personal injury, it shall not be liable for indirect or consequential loss and otherwise its liability shall be limited to the amounts paid by the Buyer for the Products or the fitting or service concerned. These terms do not affect the Buyer's statutory rights.

R&G RACING RETURNS POLICY (NON-FAULTY GOODS)

Returns must be pre-authorized (if not pre-authorized the return will be rejected). Goods may only be returned direct to us if they were purchased direct from us (customer must prove if necessary). Otherwise to be returned to original vendor. Goods must be in re-sellable condition, in the opinion of R&G Racing. All returns are subject to a 25% restocking and handling fee (25% of the gross value exc. P&P – at the prevailing price at time of purchase). The customer must pay any and all carriage charges. No returns of discontinued products, unless within 14 days of purchase. This policy does not affect your statutory rights and does not refer to faulty goods.