



FITTING INSTRUCTIONS FOR TH0023 TRANSPORT HOOKS
APRILIA SHIVER 900 2017 –



Please note that the way the kit is packed does not necessarily represent the way of mounting to the bike

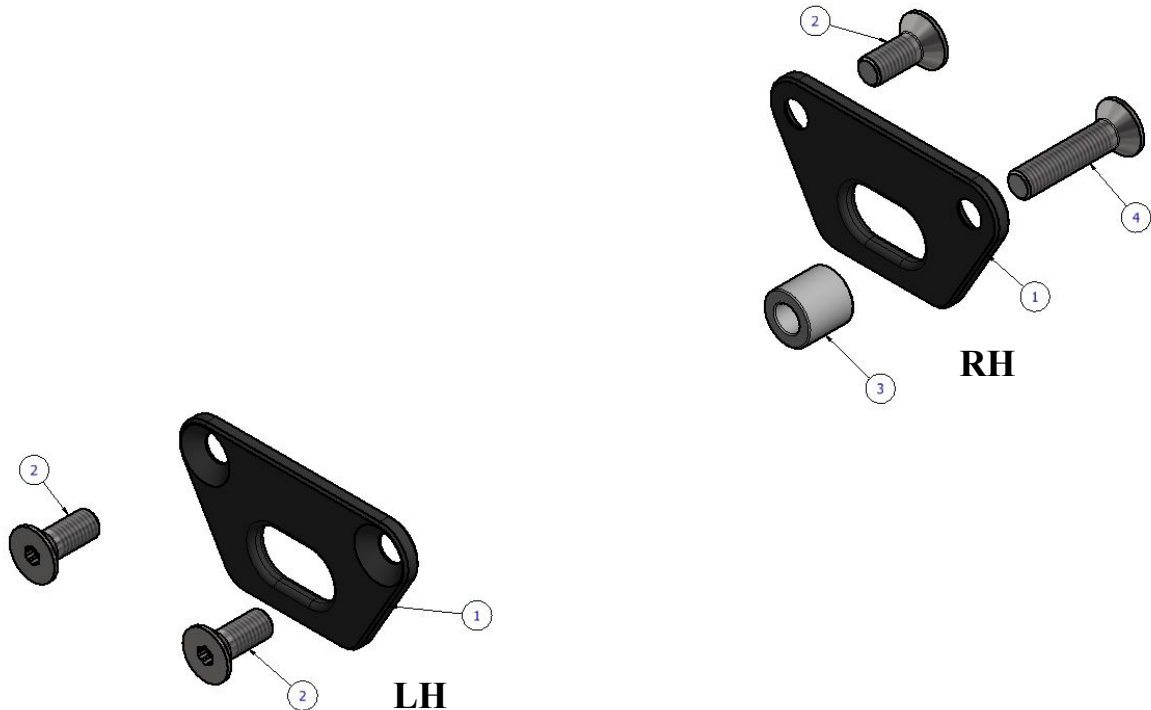
THE PARTS SHOWN MAY BE REPRESENTATIVE ONLY (FOR CLARITY OF INSTRUCTIONS ONLY)

Please note that in cases where kits are packed with rubber washers holding the components onto the bolt – *the rubber washers should be thrown away!*

Digital copies of these instructions are available to download from www.rg-racing.com

TOOLS REQUIRED

- Set of metric allen keys



LEGEND

ITEM 1 = TRANSPORT HOOK (SMW0136) (x2)

ITEM 2 = M10 x 25mm LONG COUNTERSUNK BOLT (x3)

ITEM 3 = RH SPACER (S0463) (x1)

ITEM 4 = M10 x 45mm LONG COUNTERSUNK BOLT (x1)

FITTING INSTRUCTIONS

- Remove the pillion footrest on the LH side of the bike by removing the two M10 bolts.
- Fit the transport hook (ITEM 1) using two of the M10 x 25mm bolts (item 2).
- Remove the pillion footrest on the RH side of the bike by removing the two M10 bolts.
- Fit the transport hook (ITEM 1) using the remaining M10 x 25mm (ITEM 2) and M10 x 45mm bolts (ITEM 4), with the spacer (ITEM 3) and longer bolt in the rear-most hole (as shown above).

• Please ensure that when strapping the motorcycle down the ratchet straps do not come into contact with any part of the motorcycle, as the strap is likely to rub during transit and may cause damage.

• We recommend that fabric from the straps be in contact with the product, as opposed to the hook on the end of the strap. This will increase the lifespan of the protective coating on the product.

R&G

Unit 1, Shelley's Lane, East Worldham, Alton, Hampshire, GU34 3AQ

Tel: +44 (0)1420 89007 Fax: +44 (0)1420 87301 www.rg-racing.com Email: info@rg-racing.com



- Do not overtighten straps attached to the product, as it would be possible to bend or break the product with excessive force. If in any doubt, please consult a professional.
- R&G cannot be held liable for any breakages to straps, or consequential damage from this, as a result of fraying/breaking of the straps, or incorrect use. Please ensure that all bodywork of the motorcycle which may come in contact with the straps (e.g. plastic panels, exhausts, swingarms) are protected or left completely clear of the straps.
- While we may show certain applications where the product is being used for attaching luggage to a motorcycle, this is not a general recommendation and cannot be achieved on all motorcycles.
- Care and attention will need to be taken whenever the product is in use for securing luggage or for tying the motorcycle down. R&G cannot accept any responsibility for inappropriate use or decisions on the part of the user. If in doubt, always consult a professional.

ISSUE 1 10/01/2019 (LF)

CONSUMER NOTICE

The catalogue description and any exhibition of samples are only broad indications of the Products and R&G may make design changes which do not diminish their performance or visual appeal and supplying them in such state shall conform to the order. The Buyer acknowledges no representation or warranty (other than as to title) has been given or will apply to the Products other than those in R&G's order or confirmation and the Buyer confirms it has chosen the Products as being of merchantable quality and suitable for its particular purposes. Where R&G fits the Products or undertakes other services it shall exercise reasonable skill and care and rectify any fault free of charge unless the workmanship has been disturbed. The Buyer is responsible for ensuring that the warranty on the motorcycle is not affected by the fitting of the Products. On return of any defective Products R&G shall at its option either supply a replacement or refund the purchase money but shall not be liable if the Products have been modified or used or maintained otherwise than in accordance with R&G's or manufacturer's instructions and good engineering practice or if the defect arises from accident or neglect. Other than identified above and subject to R&G not limiting its liability for causing death and personal injury, it shall not be liable for indirect or consequential loss and otherwise its liability shall be limited to the amounts paid by the Buyer for the Products or the fitting or service concerned. These terms do not affect the Buyer's statutory rights.

R&G RETURNS POLICY (NON-FAULTY GOODS)

Returns must be pre-authorized (if not pre-authorized the return will be rejected). Goods may only be returned direct to us if they were purchased direct from us (customer must prove if necessary). Otherwise to be returned to original vendor. Goods must be in re-sellable condition, in the opinion of R&G. All returns are subject to a 25% restocking and handling fee (25% of the gross value exc. P&P – at the prevailing price at time of purchase). The customer must pay any and all carriage charges. No returns of discontinued products, unless within 14 days of purchase. This policy does not affect your statutory rights and does not refer to faulty goods.

R&G

Unit 1, Shelley's Lane, East Worldham, Alton, Hampshire, GU34 3AQ
Tel: +44 (0)1420 89007 Fax: +44 (0)1420 87301 www.rg-racing.com Email: info@rg-racing.com



**NOTICE DE MONTAGE POUR TH0023 ATTACHES DE
TRANSPORT
APRILIA SHIVER 900 2017 –**



La façon dont le kit est emballé ne correspond pas forcément à la façon de monter les pièces sur la moto.

**LES PARTIES PRÉSENTÉES PEUVENT ÊTRE UNIQUEMENT REPRESENTATIVES
(POUR LA CLARTE DES INSTRUCTIONS UNIQUEMENT)**

Notez que si les kits sont emballés avec des rondelles en caoutchouc servant à tenir les composants, ces rondelles doivent être jetées !

Notice disponible au téléchargement sur www.rg-racing.com

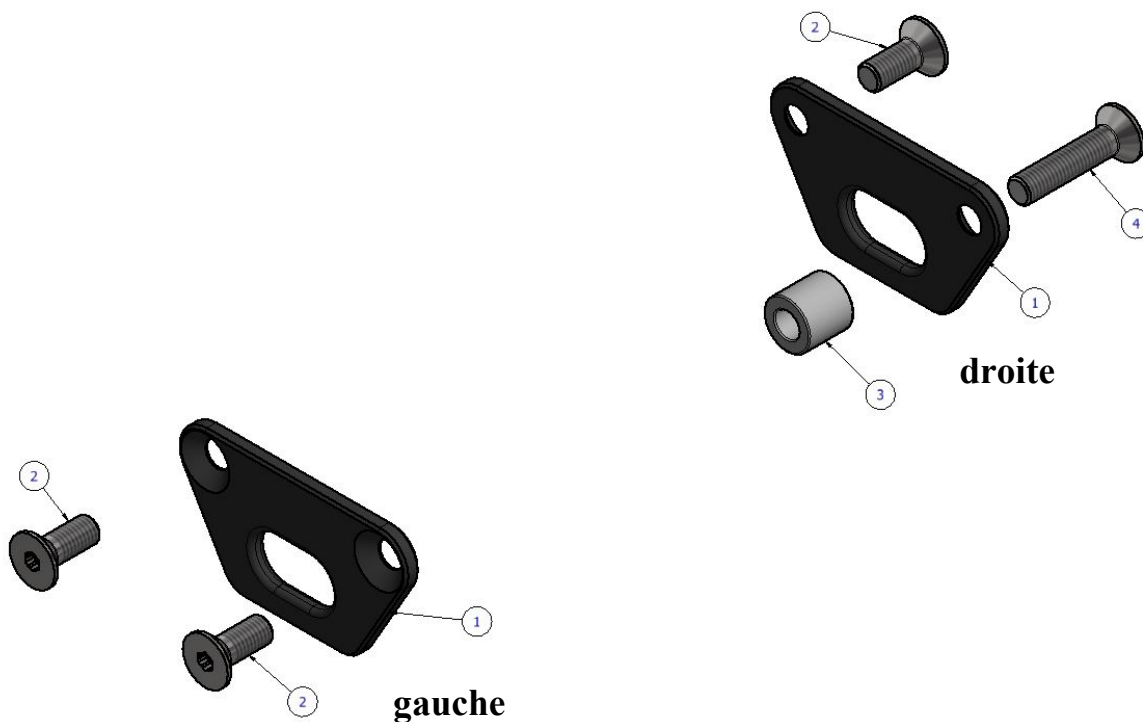
OUTILS REQUIS

- Clés Allen

R&G

Unit 1, Shelley's Lane, East Worldham, Alton, Hampshire, GU34 3AQ

Tel: +44 (0)1420 89007 Fax: +44 (0)1420 87301 www.rg-racing.com Email: info@rg-racing.com



LÉGENDE

ARTICLE 1 = ACCROCHE DE TRANSPORT (SMW0136) (x2)

ARTICLE 2 = M10 x 25mm BOULON (x3)

ARTICLE 3 = ENTRETOISE DROITE (S0463) (x1)

ARTICLE 4 = M10 x 45mm BOULON (x1)

NOTICE DE MONTAGE:

- Enlever les repose pieds passager d'origine du côté gauche de la moto en enlevant les 2 boulons M10.
 - Monter l'attache de transport (article 1) en utilisant les 2 boulons M10 x 25mm (article 2).
 - Enlever le repose pieds passage du côté droit de la moto en enlevant les 2 boulons M10.
 - Monter l'attache de transport (article 1) en utilisant les boulons M10 x 25mm (article 2) et M10 x 45mm (article 4), avec l'entretoise (article 3) et le boulon dans le trou le plus reculé (voir ci-dessus).
- Veiller à ce que lorsque la moto est sanglee, les sangles ne touchent pas la moto, car cela pourrait abimer la moto lors du transport.

R&G

Unit 1, Shelley's Lane, East Worldham, Alton, Hampshire, GU34 3AQ

Tel: +44 (0)1420 89007 Fax: +44 (0)1420 87301 www.rg-racing.com Email: info@rg-racing.com



- Nous recommandons que le tissu des sangles soit en contact avec le produit, par opposition à l'accroche sur l'extrémité de la sangle. Cela améliorera la durée de vie du revêtement de protection du produit.
- Ne pas trop serrer les sangles attachées au produit, car cela pourrait endommager le produit si une force excessive est émise dessus. En cas de doute, consulter un professionnel.
- R&G ne pourra être tenue responsable en cas de rupture des sangles, ou dommages consécutifs à cette rupture et à une mauvaise utilisation. Veiller à ce que tous les carénages de la moto qui pourraient être en contact avec les sangles, soit protégés (e.g. panneau plastique, échappement, bras oscillant) ou suffisamment éloignés des sangles.
- Même si nous présentons quelques applications du produit, tel que l'attache de bagage, il ne s'agit pas d'une recommandation générale et cela peut ne pas être possible selon le modèle de moto.
- Lorsque le produit est utilisé, vous devez faire preuve d'une attention particulière dans la fixation du bagage ou atteler la moto. R&G n'acceptera aucune responsabilité en cas d'utilisation inappropriée et décision propre à l'utilisateur. En cas de doute, consultez un professionnel.

ISSUE 1 10/01/2019 (LF)

CONSUMER NOTICE

The catalogue description and any exhibition of samples are only broad indications of the Products and R&G may make design changes which do not diminish their performance or visual appeal and supplying them in such state shall conform to the order. The Buyer acknowledges no representation or warranty (other than as to title) has been given or will apply to the Products other than those in R&G's order or confirmation and the Buyer confirms it has chosen the Products as being of merchantable quality and suitable for its particular purposes. Where R&G fits the Products or undertakes other services it shall exercise reasonable skill and care and rectify any fault free of charge unless the workmanship has been disturbed. The Buyer is responsible for ensuring that the warranty on the motorcycle is not affected by the fitting of the Products. On return of any defective Products R&G shall at its option either supply a replacement or refund the purchase money but shall not be liable if the Products have been modified or used or maintained otherwise than in accordance with R&G's or manufacturer's instructions and good engineering practice or if the defect arises from accident or neglect. Other than identified above and subject to R&G not limiting its liability for causing death and personal injury, it shall not be liable for indirect or consequential loss and otherwise its liability shall be limited to the amounts paid by the Buyer for the Products or the fitting or service concerned. These terms do not affect the Buyer's statutory rights.

R&G RETURNS POLICY (NON-FAULTY GOODS)

Returns must be pre-authorized (if not pre-authorized the return will be rejected). Goods may only be returned direct to us if they were purchased direct from us (customer must prove if necessary). Otherwise to be returned to original vendor. Goods must be in re-sellable condition, in the opinion of R&G. All returns are subject to a 25% restocking and handling fee (25% of the gross value exc. P&P – at the prevailing price at time of purchase). The customer must pay any and all carriage charges. No returns of discontinued products, unless within 14 days of purchase. This policy does not affect your statutory rights and does not refer to faulty goods.

R&G

Unit 1, Shelley's Lane, East Worldham, Alton, Hampshire, GU34 3AQ

Tel: +44 (0)1420 89007 Fax: +44 (0)1420 87301 www.rg-racing.com Email: info@rg-racing.com



MONTAGEANLEITUNG FÜR TH0023 VERZURRÖSEN
APRILIA SHIVER 900 2017 –



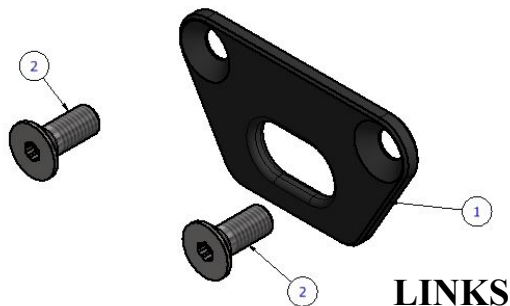
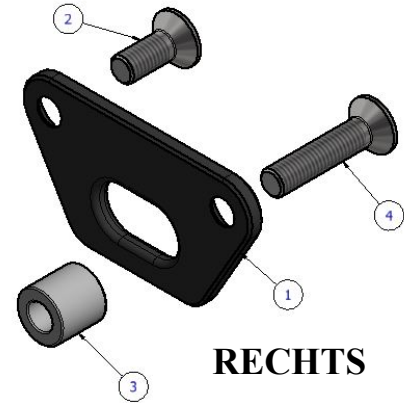
Hinweis: Die Verpackung der Teile stellt nicht die Reihenfolge der Montage dar.

DIE UNTEN ABGEBILDETEN TEILE DIENEN LEDIGLICH ZUR ERKLÄRUNG

Hinweis für Kits mit Plastikunterlegscheiben an den Schrauben – *Diese Plastikunterlegscheiben werden nicht für den Einbau benötigt!*

Eine digitale Version dieser Montageanleitung kann auf folgender Seite heruntergeladen werden:
www.rg-racing.com

- **SIE BENÖTIGEN FOLGENDES WERKZEUG**
 - Satz Inbusschlüssel



LIEFERUMFANG

ARTIKEL 1 = VERZURRÖSE (SMW0136) (x2)

ARTIKEL 2 = M10 x 25mm SENKSCHRAUBE (x3)

ARTIKEL 3 = DISTANZHALTER – RECHTE SEITE (S0463) (x1)

ARTIKEL 4 = M10 x 45mm SENKSCHRAUBE (x1)

MONTAGEANLEITUNG

- Entfernen Sie die Beifahrer-Fußraste an der linken Seite, indem Sie die zwei M10 Schrauben entfernen.
- Montieren Sie die Verzurröse (Artikel 1) mit den M10 x 25mm Schrauben (Artikel 2).
- Entfernen Sie die Beifahrer-Fußraste an der rechten Seite (entfernen Sie die zwei M10 Schrauben).
- Montieren Sie die Verzurröse (Artikel 1) mit der übrigen M10 x 25mm Schraube (Artikel 2) und der M10 x 45mm Schraube (Artikel 4). Der Distanzhalter (Artikel 3) und die längere Schraube in der hintersten Öffnung (wie oben abgebildet) montieren.
- Bitte beim Verzurren des Motorrads darauf achten, dass die Gurte das Motorrad nicht berühren. Eventuelle Schäden, die durch das Reiben der Gurte während des Transports entstehen könnten, werden somit vermieden.
- Wir empfehlen darauf zu achten, dass nur das Gurtmaterial und nicht der Haken am Ende des Gurts mit dem Produkt in Berührung kommt. Somit wird die Lebensdauer der Schutzabdeckschicht des Produktes erhöht.

R&G

Unit 1, Shelley's Lane, East Worldham, Alton, Hampshire, GU34 3AQ

Tel: +44 (0)1420 89007 Fax: +44 (0)1420 87301 www.rg-racing.com Email: info@rg-racing.com



- Ziehen Sie die Gurte, die am Produkt angebracht sind nicht zu stark fest – ein übermäßiger Kraftaufwand kann womöglich zu einer Dehnung bzw. einer Beschädigung des Produktes führen. Wenn Sie sich nicht sicher sind, kontaktieren Sie bitte einen Fachmann.
- R&G übernimmt keine Haftung für Beschädigungen bzw. Risse an den Gurten oder daraus entstehende Folgeschäden, die durch das Durchscheuern/das Reißen der Gurte oder durch die fehlerhafte Verwendung zurückzuführen sind. Bitte achten Sie darauf, dass alle Motorradteile, die eventuell mit den Gurten in Berührung kommen können (z.B. Kunststoffverkleidungsteile, Auspuff, Schwinge) geschützt sind bzw. weit von den Gurten entfernt sind.
- Obwohl wir bei manchen Anwendungen zeigen, dass das Produkt benutzt wird, um Gepäck am Motorrad zu befestigen, ist dies keine allgemeine Empfehlung und ist nicht bei allen Motorrädern möglich.
- Vorsicht und Aufmerksamkeit ist immer erforderlich wenn das Produkt für die Befestigung vom Gepäck oder für das Verzurren des Motorrades verwendet wird. R&G übernimmt keine Haftung für die unzuweckmäßige Verwendung oder fehlerhafte Handhabung des Benutzers. Wenn Sie sich nicht sicher sind, kontaktieren Sie immer einen Fachmann.

AUSGABE 1 10/01/2019 (LF)

CONSUMER NOTICE

The catalogue description and any exhibition of samples are only broad indications of the Products and R&G may make design changes which do not diminish their performance or visual appeal and supplying them in such state shall conform to the order. The Buyer acknowledges no representation or warranty (other than as to title) has been given or will apply to the Products other than those in R&G's order or confirmation and the Buyer confirms it has chosen the Products as being of merchantable quality and suitable for its particular purposes. Where R&G fits the Products or undertakes other services it shall exercise reasonable skill and care and rectify any fault free of charge unless the workmanship has been disturbed. The Buyer is responsible for ensuring that the warranty on the motorcycle is not affected by the fitting of the Products. On return of any defective Products R&G shall at its option either supply a replacement or refund the purchase money but shall not be liable if the Products have been modified or used or maintained otherwise than in accordance with R&G's or manufacturer's instructions and good engineering practice or if the defect arises from accident or neglect. Other than identified above and subject to R&G not limiting its liability for causing death and personal injury, it shall not be liable for indirect or consequential loss and otherwise its liability shall be limited to the amounts paid by the Buyer for the Products or the fitting or service concerned. These terms do not affect the Buyer's statutory rights.

R&G RETURNS POLICY (NON-FAULTY GOODS)

Returns must be pre-authorized (if not pre-authorized the return will be rejected). Goods may only be returned direct to us if they were purchased direct from us (customer must prove if necessary). Otherwise to be returned to original vendor. Goods must be in re-sellable condition, in the opinion of R&G. All returns are subject to a 25% restocking and handling fee (25% of the gross value exc. P&P – at the prevailing price at time of purchase). The customer must pay any and all carriage charges. No returns of discontinued products, unless within 14 days of purchase. This policy does not affect your statutory rights and does not refer to faulty goods.

R&G

Unit 1, Shelley's Lane, East Worldham, Alton, Hampshire, GU34 3AQ

Tel: +44 (0)1420 89007 Fax: +44 (0)1420 87301 www.rg-racing.com Email: info@rg-racing.com