



**FITTING INSTRUCTIONS FOR RAD0380PRO**



**THIS KIT CONTAINS THE ITEMS PICTURED AND LABELLED OVER PAGE.  
SOME PARTS MAY BE SHOWN FOR CLARITY OF INSTRUCTIONS ONLY.**

DO NOT PROCEED UNTIL YOU ARE SURE ALL PARTS ARE PRESENT.

**PLEASE READ ALL INSTRUCTIONS BEFORE PROCEEDING.**

**IF IN ANY DOUBT WHEN FITTING OUR PRODUCTS, CONSULT ONE OF OUR DEALERS  
OR HAVE FITTED BY A QUALIFIED TECHNICIAN.**



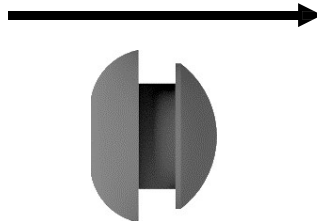
<b><u>TOOLS REQUIRED</u></b>	<b><u>GENERAL TORQUE SETTINGS</u></b>
<ul style="list-style-type: none"> <li>• SET OF ALLEN KEYS</li> <li>• THREAD LOCK</li> </ul>	M4 BOLT = 6Nm M5 BOLT = 8Nm M6 BOLT = 12Nm M8 BOLT = 20Nm M10 BOLT = 40Nm M12 BOLT = 40Nm

### **LEGEND**

<b>ITEM NO.</b>	<b>DESCRIPTION</b>	<b>QTY</b>
ITEM 1	RAD0380PRO - RADIATOR GUARD	1
ITEM 2	SMW0295 - CLAMPING PLATES	2
ITEM 3	SELF ADHESIVE FOAM STRIP	1
ITEM 4	5mm BUTTON HEAD BOLT	2
ITEM 5	WASHER	2
ITEM 6	RUBBER BUNG	5

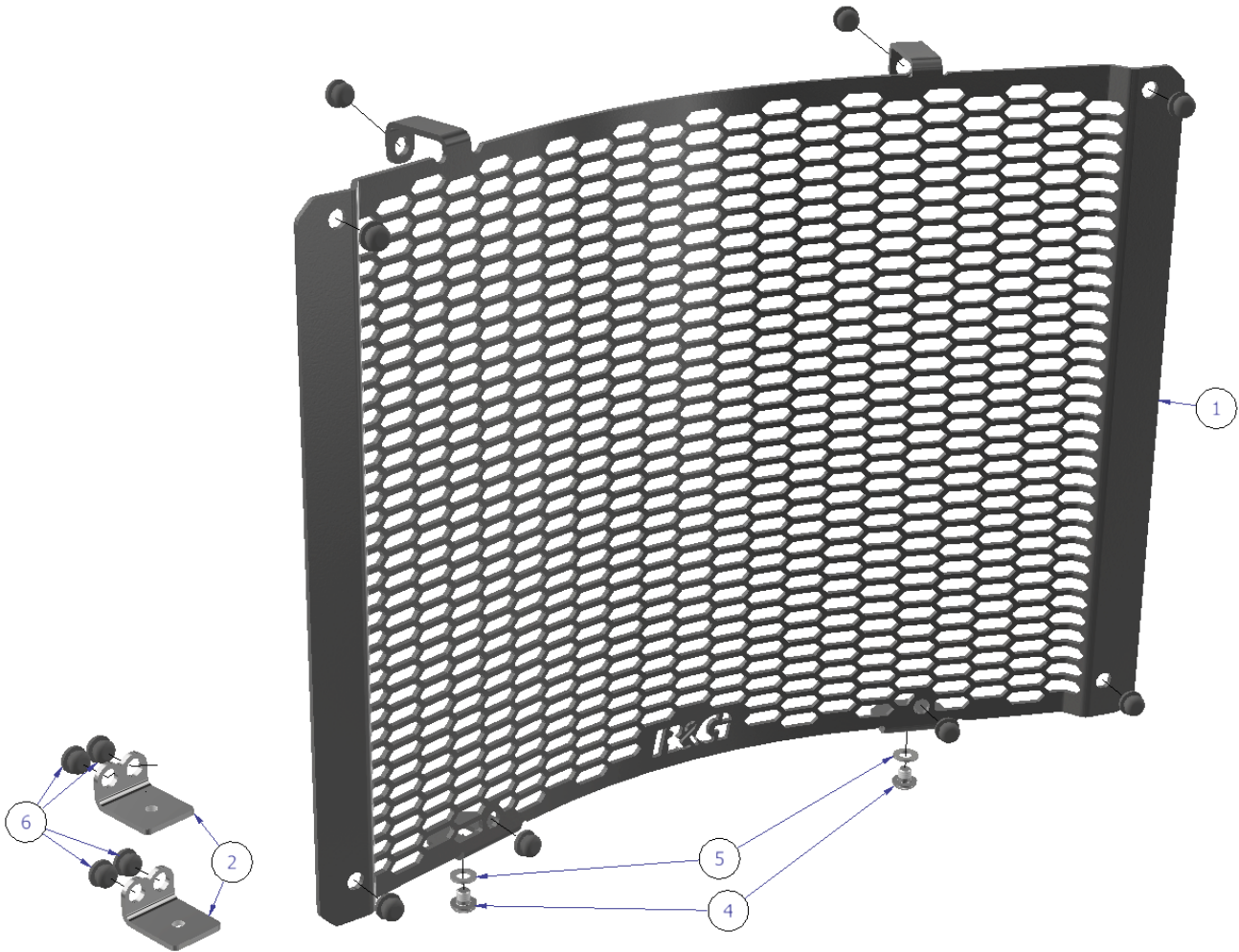
### **FITTING DIAGRAM**

FRONT OF RAD GUARD



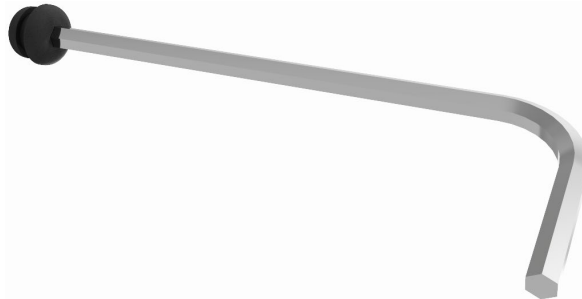


## ASSEMBLY DIAGRAM



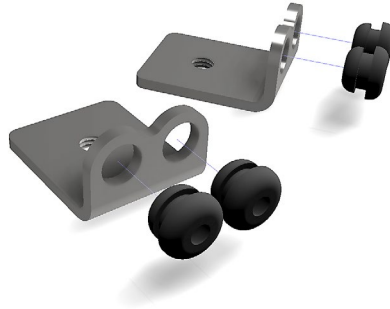
### FITTING PICTURES:

**Picture 1**





**Picture 2**

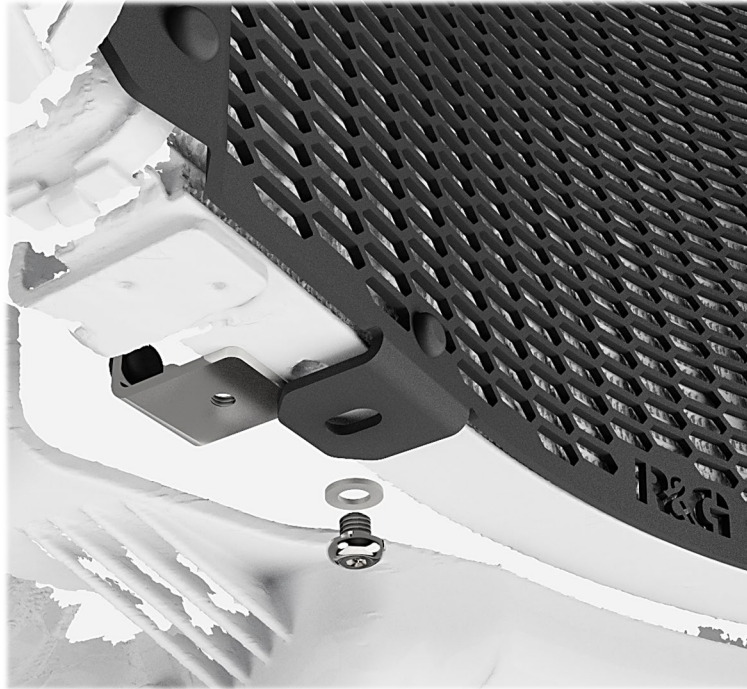


**Picture 3**

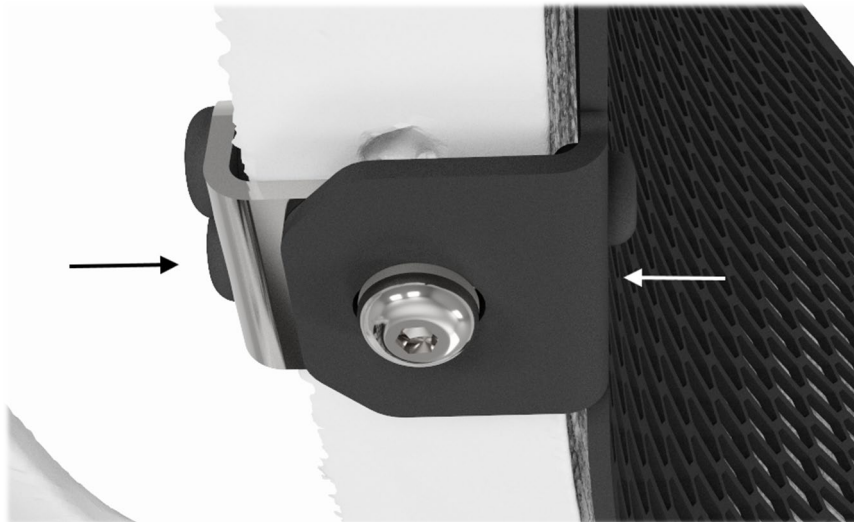




Picture 4



Picture 5



## **FITTING INSTRUCTIONS**

### **Assembly:**

- Firstly, carefully clean the radiator, being careful not to damage any of the fins.
- Prepare the radiator guard by inserting the 8x rubber bungs (**Item 6**) into the radiator guard.
- Followed by inserting the remaining 4x rubber bungs into the clamping plates. (**Picture 2**)

**Please note:** Fitting the bungs is much easier with the use of a 3mm allen/hex key as shown in **Picture 1**, place the bungs on the end of the allen key and carefully push through the holes.



- Offer the guard into position as shown in **Picture 3**, carefully hooking the top tabs over the top of the radiator.
- Once the tabs are hooked over the top of the radiator rotate the bottom edge back and position the guard flat against the radiator.
- With the pre-prepared clamping plates (**Item 2**), bolt (**Item 4**) and washer (**Item 5**) close to hand, slide the clamping plates between the radiator and the guard.
- Apply a small amount of thread locking compound to the 5mm bolts and thread them through the guard and into the clamping plate. Do not fully tighten at this point.
- With your finger and thumb, pinch the front of the radiator guard and back of the clamping plate together (to clamp the radiator) then tighten the 5mm bolt to 8Nm. (**Picture 5**)
- If any un-desired movement occurs the supplied self-adhesive foam can be fitted where required.

ISSUE 1 – 17/12/2025 (TB)

#### **CONSUMER NOTICE**

The catalogue description and any exhibition of samples are only broad indications of the Products and R&G may make design changes which do not diminish their performance or visual appeal and supplying them in such state shall conform to the order. The Buyer acknowledges no representation or warranty (other than as to title) has been given or will apply to the Products other than those in R&G's order or confirmation and the Buyer confirms it has chosen the Products as being of merchantable quality and suitable for its particular purposes. Where R&G fits the Products or undertakes other services it shall exercise reasonable skill and care and rectify any fault free of charge unless the workmanship has been disturbed. The Buyer is responsible for ensuring that the warranty on the motorcycle is not affected by the fitting of the Products. On return of any defective Products R&G shall at its option either supply a replacement or refund the purchase money but shall not be liable if the Products have been modified or used or maintained otherwise than in accordance with R&G's or manufacturer's instructions and good engineering practice or if the defect arises from accident or neglect. Other than identified above and subject to R&G not limiting its liability for causing death and personal injury, it shall not be liable for indirect or consequential loss and otherwise its liability shall be limited to the amounts paid by the Buyer for the Products or the fitting or service concerned. These terms do not affect the Buyer's statutory rights.

#### **R&G RACING RETURNS POLICY (NON-FAULTY GOODS)**

Returns must be pre-authorized (if not pre-authorized the return will be rejected). Goods may only be returned direct to us if they were purchased direct from us (customer must prove if necessary). Otherwise to be returned to original vendor. Goods must be in re-sellable condition, in the opinion of R&G Racing. All returns are subject to a 25% restocking and handling fee (25% of the gross value exc. P&P – at the prevailing price at time of purchase). The customer must pay any and all carriage charges. No returns of discontinued products, unless within 14 days of purchase. This policy does not affect your statutory rights and does not refer to faulty good.



**NOTICE DE MONTAGE POUR RAD0380PRO**



**CE KIT CONTIENT LES ARTICLES ILLUSTRÉS ET ÉTIQUETES SUR LA PAGE.**

CERTAINES PARTIES PEUVENT ÊTRE PRÉSENTES UNIQUEMENT POUR LA CLARTÉ DES INSTRUCTIONS.

NE PAS PROCÉDER AU MONTAGE TANT QUE VOUS N'ÊTES PAS SÛR QUE TOUTES LES PIÈCES SOIENT PRÉSENTES.

**VEUILLEZ LIRE TOUTES LES INSTRUCTIONS AVANT DE CONTINUER.**

**EN CAS DE DOUTE LORS DU MONTAGE DE NOS PRODUITS, CONSULTEZ UN DE NOS REVENDEURS OU FAITES APPEL A UN TECHNICIEN QUALIFIÉ.**



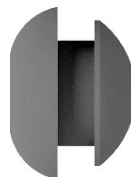
<b><u>OUTILS REQUIS</u></b>	<b><u>VALEURS DE SERRAGE</u></b>
<ul style="list-style-type: none"> <li>• CLÉS ALLEN</li> <li>• FREIN FILET</li> </ul>	M4 BOULON = 8Nm M5 BOULON = 12Nm M6 BOULON = 15Nm M8 BOULON = 20Nm M10 BOULON = 40Nm M12 BOULON = 40Nm

### **LÉGENDE**

<b>ARTICLE NO.</b>	<b>DESCRIPTION</b>	<b>QTÉ</b>
ARTICLE 1	RAD0380PRO - PROTECTION RADIATEUR	1
ARTICLE 2	SMW0295 - PLAQUES DE SERRAGE	2
ARTICLE 3	BANDEAU AUTOCOLLANT	1
ARTICLE 4	5mm BOULON	2
ARTICLE 5	RONDELLE	2
ARTICLE 6	BOUCHONS EN CAOUTCHOUC	5

### **SCHÉMA DE MONTAGE**

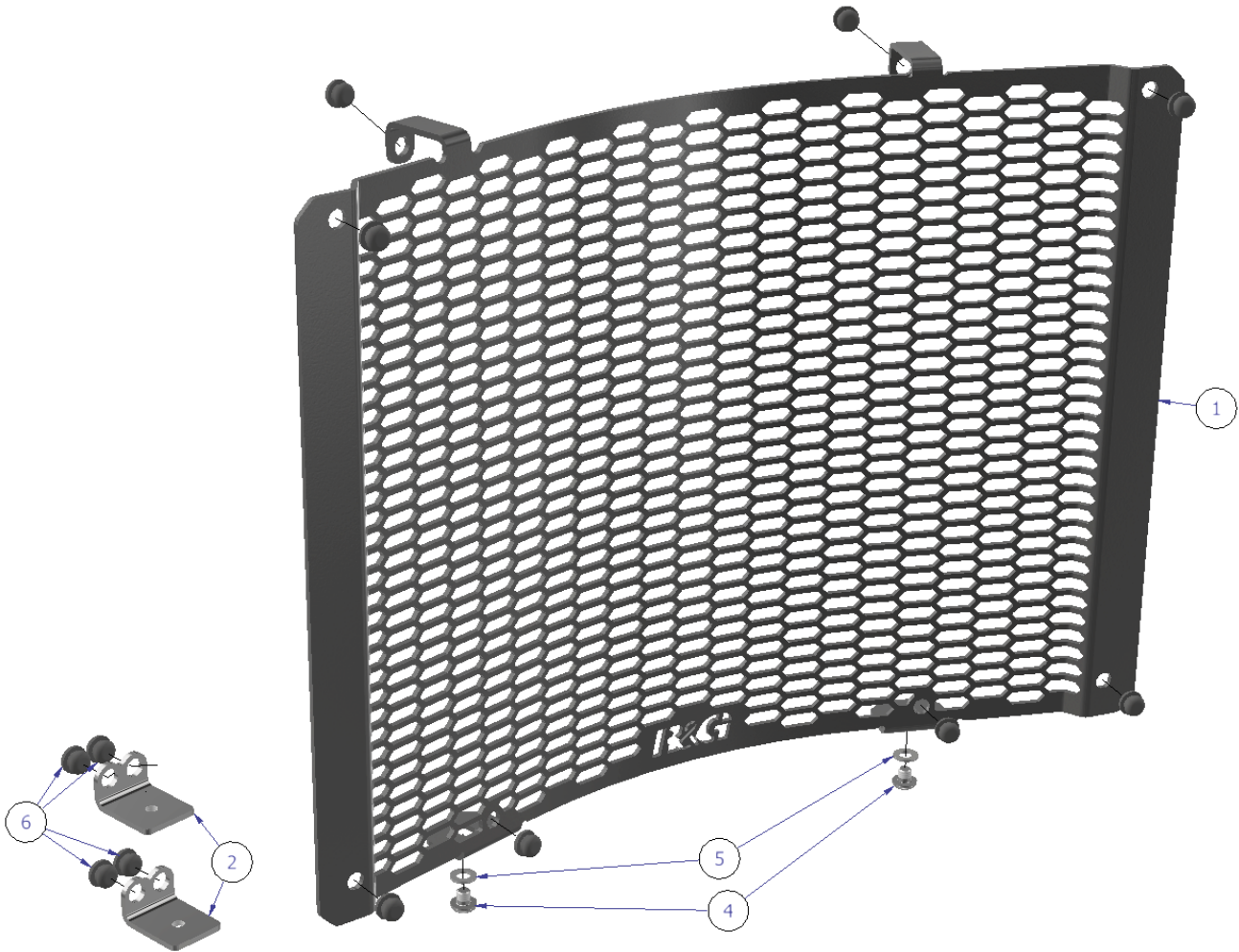
AVANT DE LA PROTECTION





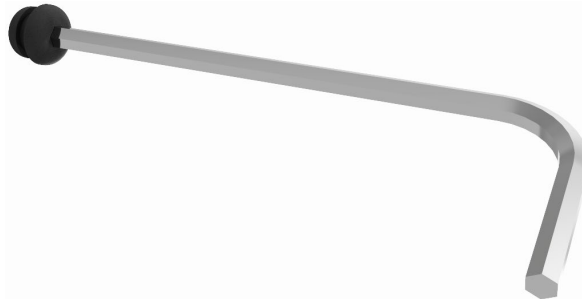


## SCHÉMA D'ENSEMBLE



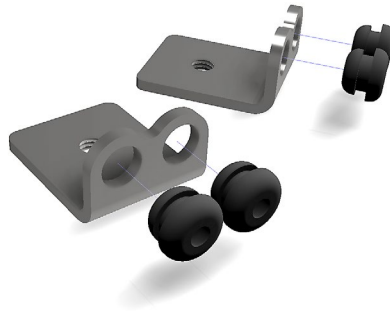
## PHOTOS DE MONTAGE :

**Photo 1**



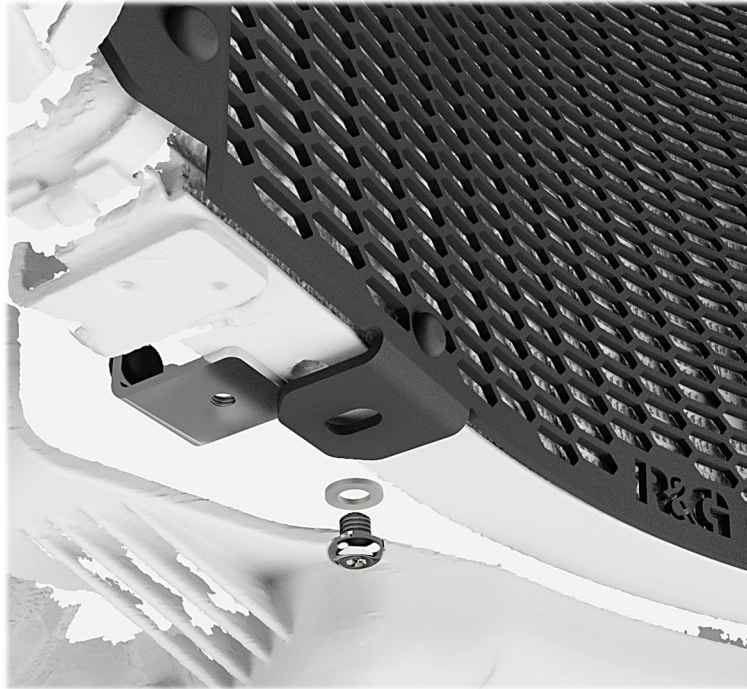
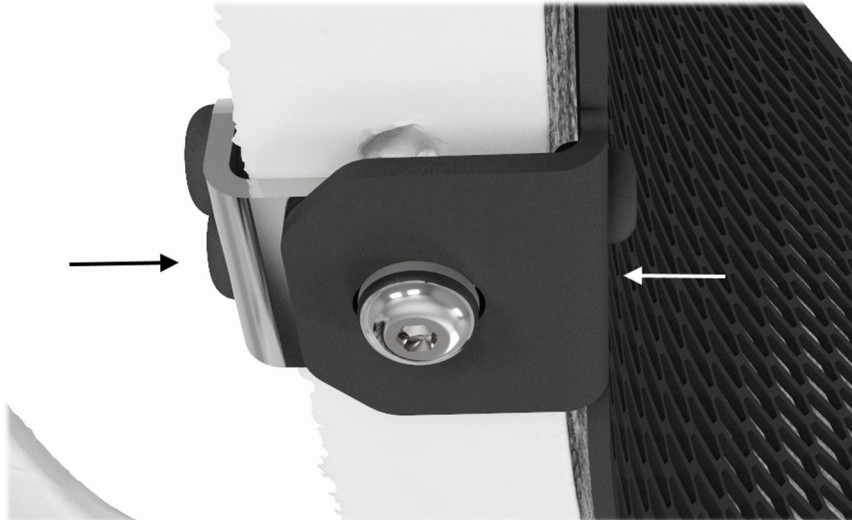


**Photo 2**



**Photo 3**



**Photo 4****Photo 5****NOTICE DE MONTAGE :****Assemblage :**

- Commencez par nettoyer soigneusement le radiateur, en veillant à ne pas endommager les ailettes.
- Préparez la grille de protection du radiateur en y insérant les 8 bouchons en caoutchouc (article 6).
- Insérez ensuite les 4 bouchons en caoutchouc restants dans les plaques de fixation (image 2).



**Note :** *L'insertion des bouchons est beaucoup plus facile avec une clé Allen/hexagonale de 3 mm, comme illustré sur la photo 1. Placez les bouchons à l'extrémité de la clé Allen et poussez-les délicatement à travers les trous.*

- Positionnez la protection comme indiqué sur l'image 3, en accrochant soigneusement les languettes supérieures sur le haut du radiateur.
- Une fois les languettes accrochées, rabattez le bord inférieur et positionnez la protection à plat contre le radiateur.
- À l'aide des plaques de serrage (article 2), du boulon (article 4) et de la rondelle (article 5), glissez les plaques de serrage entre le radiateur et la protection.
- Appliquez une petite quantité de frein-filet sur les boulons de 5 mm et vissez-les à travers la protection et dans la plaque de serrage. Ne serrez pas complètement à ce stade.
- Pincez l'avant de la protection et l'arrière de la plaque de serrage entre votre pouce et votre index (pour fixer le radiateur), puis serrez le boulon de 5 mm à 8 Nm (Image 5).
- En cas de jeu, vous pouvez utiliser la mousse autocollante fournie pour fixer la protection.

ISSUE 1 – 17/12/2025 (TB)

#### **CONSUMER NOTICE**

The catalogue description and any exhibition of samples are only broad indications of the Products and R&G may make design changes which do not diminish their performance or visual appeal and supplying them in such state shall conform to the order. The Buyer acknowledges no representation or warranty (other than as to title) has been given or will apply to the Products other than those in R&G's order or confirmation and the Buyer confirms it has chosen the Products as being of merchantable quality and suitable for its particular purposes. Where R&G fits the Products or undertakes other services it shall exercise reasonable skill and care and rectify any fault free of charge unless the workmanship has been disturbed. The Buyer is responsible for ensuring that the warranty on the motorcycle is not affected by the fitting of the Products. On return of any defective Products R&G shall at its option either supply a replacement or refund the purchase money but shall not be liable if the Products have been modified or used or maintained otherwise than in accordance with R&G's or manufacturer's instructions and good engineering practice or if the defect arises from accident or neglect. Other than identified above and subject to R&G not limiting its liability for causing death and personal injury, it shall not be liable for indirect or consequential loss and otherwise its liability shall be limited to the amounts paid by the Buyer for the Products or the fitting or service concerned. These terms do not affect the Buyer's statutory rights.

#### **R&G RACING RETURNS POLICY (NON-FAULTY GOODS)**

Returns must be pre-authorized (if not pre-authorized the return will be rejected). Goods may only be returned direct to us if they were purchased direct from us (customer must prove if necessary). Otherwise to be returned to original vendor. Goods must be in re-sellable condition, in the opinion of R&G Racing. All returns are subject to a 25% restocking and handling fee (25% of the gross value exc. P&P – at the prevailing price at time of purchase). The customer must pay any and all carriage charges. No returns of discontinued products, unless within 14 days of purchase. This policy does not affect your statutory rights and does not refer to faulty good.