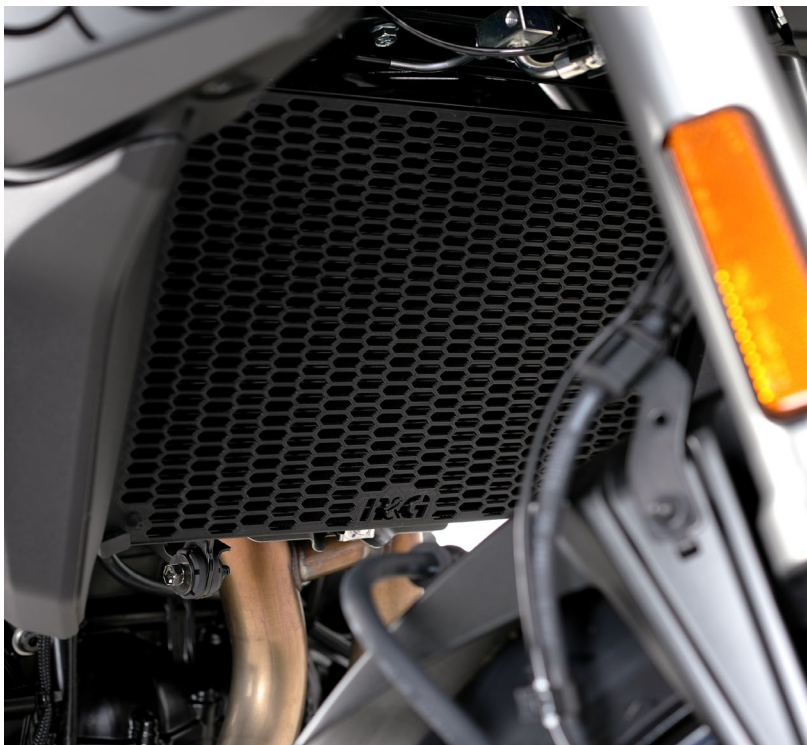




**FITTING INSTRUCTIONS FOR RAD0317PRO**



**PICTURE A**

**THIS KIT CONTAINS THE ITEMS PICTURED AND LABELLED OVER PAGE.**

SOME PARTS MAY BE SHOWN FOR CLARITY OF INSTRUCTIONS ONLY.

DO NOT PROCEED UNTIL YOU ARE SURE ALL PARTS ARE PRESENT.

**PLEASE READ ALL INSTRUCTIONS BEFORE PROCEEDING.**

**IF IN ANY DOUBT WHEN FITTING OUR PRODUCTS, CONSULT ONE OF OUR DEALERS  
OR HAVE FITTED BY A QUALIFIED TECHNICIAN.**

PLEASE NOTE THAT THE WAY THE KIT IS PACKED DOES NOT NECESSARILY REPRESENT THE WAY OF  
MOUNTING TO THE BIKE.

IN THE EVENT OF RUBBER WASHERS BEING USED TO HOLD COMPONENTS ONTO BOLTS,  
THESE RUBBER WASHERS CAN BE THROWN AWAY.

**DIGITAL COPIES OF THESE INSTRUCTIONS ARE AVAILABLE FROM:**

[WWW.RG-RACING.COM](http://WWW.RG-RACING.COM)

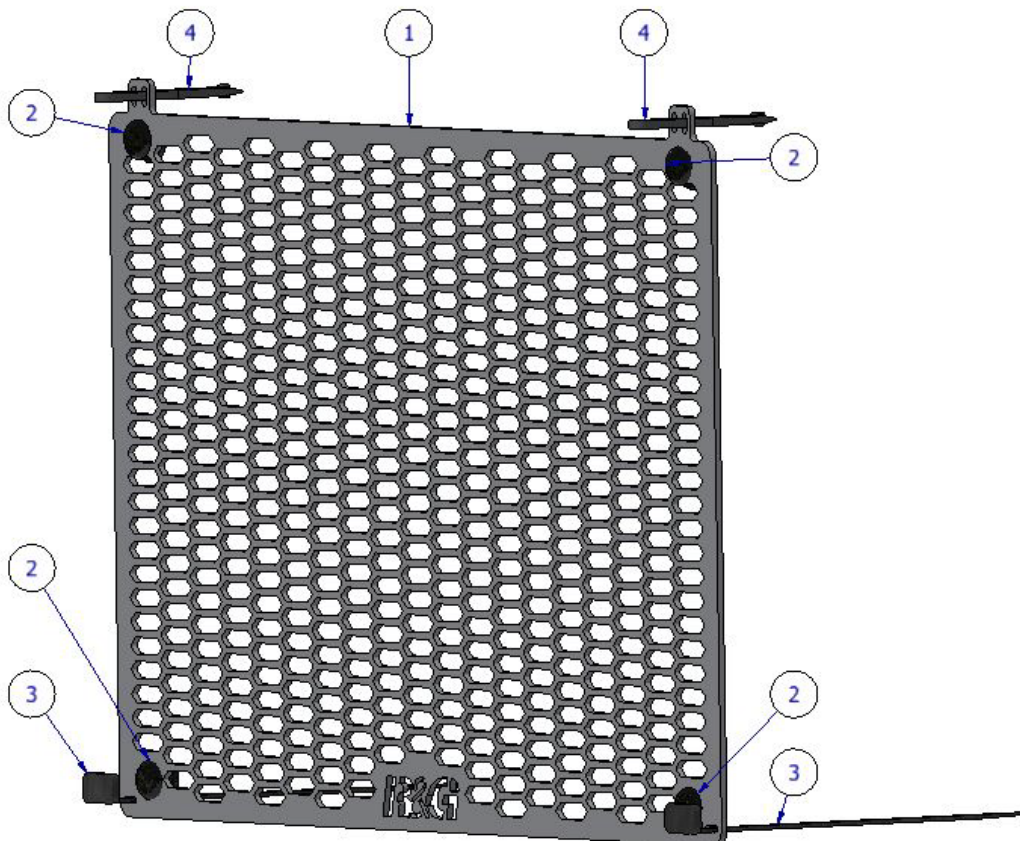


<b><u>TOOLS REQUIRED</u></b>	<b><u>GENERAL TORQUE SETTINGS</u></b>
<ul style="list-style-type: none"> <li>WIRE CUTTERS/SCISSORS</li> </ul>	<p>M4 BOLT = 8Nm                      M5 BOLT = 12Nm                      M6 BOLT = 15Nm                      M8 BOLT = 20Nm                      M10 BOLT = 40Nm                      M12 BOLT = 40Nm</p>

**LEGEND**

ITEM NO.	DESCRIPTION	QTY
ITEM 1	ALUMINIUM RADIATOR GUARD (RAD0317PRO)	1
ITEM 2	RUBBER BUNGS (RB0015)	4
ITEM 3	ONE WAY R&G CABLE TIES (CT130)	4
ITEM 4	CABLE TIE (CT220)	4

**FITTING DIAGRAM**

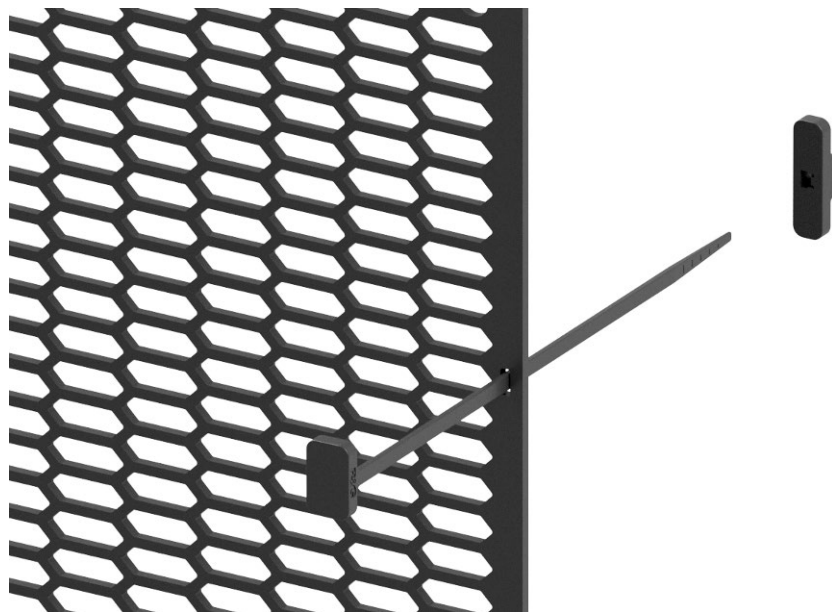




FRONT OF BIKE



**FITTING PICTURE**



**Place the cable ties around the two brackets at the top of the radiator and through the holes in the bottom corners of the fins.**



## **FITTING INSTRUCTIONS**

- Insert the 4x rubber grommets into the radiator guard in the holes (as shown above) if they do not come already installed.
- Slide the R&G Radiator Guard into position (AS SHOWN IN THE PICTURE A ON PAGE 1).
- Secure in place using 4 x supplied R&G cable ties as shown in the Fitting Picture above, the cable ties should go through the 4X holes (AS SHOWN IN THE ASSEMBLY DIAGRAM).
- The locking part of the cable tie needs to be secured from behind the radiator; to do this it is likely you will have to remove the fairings to access the rear of the radiator. Please refer to the owner's manual for information on how to do this.

ISSUE 1 – 30/08/2023 (JH)

ISSUE 2 – 06/09/2023 (JH)

### **CONSUMER NOTICE**

The catalogue description and any exhibition of samples are only broad indications of the Products and R&G may make design changes which do not diminish their performance or visual appeal and supplying them in such state shall conform to the order. The Buyer acknowledges no representation or warranty (other than as to title) has been given or will apply to the Products other than those in R&G's order or confirmation and the Buyer confirms it has chosen the Products as being of merchantable quality and suitable for its particular purposes. Where R&G fits the Products or undertakes other services it shall exercise reasonable skill and care and rectify any fault free of charge unless the workmanship has been disturbed. The Buyer is responsible for ensuring that the warranty on the motorcycle is not affected by the fitting of the Products. On return of any defective Products R&G shall at its option either supply a replacement or refund the purchase money but shall not be liable if the Products have been modified or used or maintained otherwise than in accordance with R&G's or manufacturer's instructions and good engineering practice or if the defect arises from accident or neglect. Other than identified above and subject to R&G not limiting its liability for causing death and personal injury, it shall not be liable for indirect or consequential loss and otherwise its liability shall be limited to the amounts paid by the Buyer for the Products or the fitting or service concerned. These terms do not affect the Buyer's statutory rights.

### **R&G RACING RETURNS POLICY (NON-FAULTY GOODS)**

Returns must be pre-authorized (if not pre-authorized the return will be rejected). Goods may only be returned direct to us if they were purchased direct from us (customer must prove if necessary). Otherwise to be returned to original vendor. Goods must be in re-sellable condition, in the opinion of R&G Racing. All returns are subject to a 25% restocking and handling fee (25% of the gross value exc. P&P – at the prevailing price at time of purchase). The customer must pay any and all carriage charges. No returns of discontinued products, unless within 14 days of purchase. This policy does not affect your statutory rights and does not refer to faulty goods.

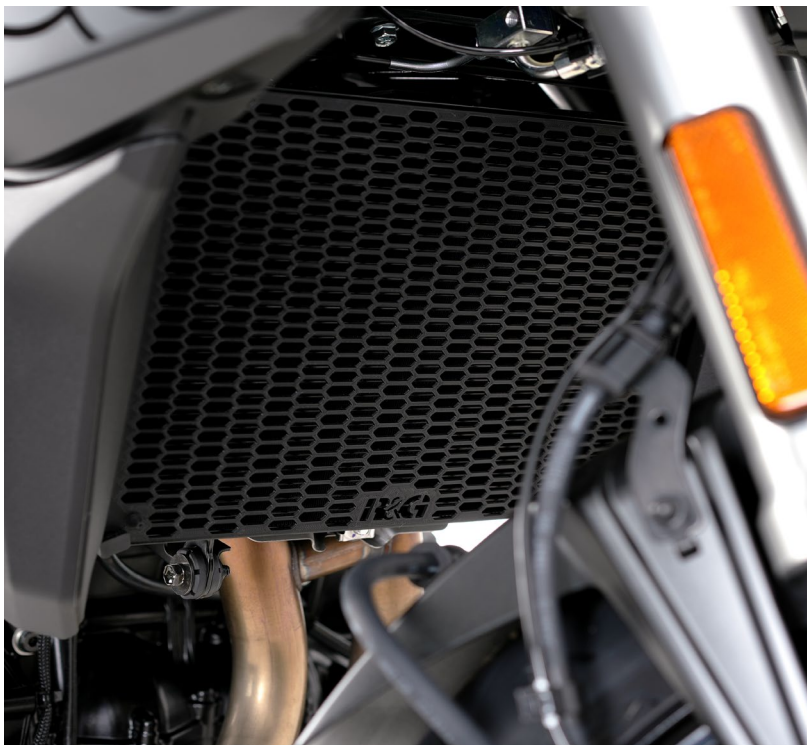
R&G Racing

Unit 1, Shelley's Lane, East Worldham, Alton, Hampshire, GU34 3AQ

Tel: +44 (0)1420 89007 Fax: +44 (0)1420 87301 [www.rg-racing.com](http://www.rg-racing.com) Email: [info@rg-racing.com](mailto:info@rg-racing.com)



**NOTICE DE MONTAGE POUR RAD0317PRO**



**PHOTO A**

**CE KIT CONTIENT LES ARTICLES ILLUSTRÉS ET ÉTIQUETES SUR LA PAGE.**

CERTAINES PARTIES PEUVENT ÊTRE PRÉSENTES UNIQUEMENT POUR LA CLARTE DES INSTRUCTIONS.

NE PAS PROCÉDER AU MONTAGE TANT QUE VOUS N'ÊTES PAS SÛR QUE TOUTES LES PIÈCES SOIENT PRÉSENTES.

**VEUILLEZ LIRE TOUTES LES INSTRUCTIONS AVANT DE CONTINUER.**

**EN CAS DE DOUTE LORS DU MONTAGE DE NOS PRODUITS, CONSULTEZ UN DE NOS REVENDEURS OU FAITES APPEL À UN TECHNICIEN QUALIFIÉ.**

VEUILLEZ NOTER QUE LA FAÇON DONT LE KIT EST EMBALLÉ NE REPRÉSENTE PAS NECESSAIREMENT LA MANIÈRE DE LE MONTER SUR LA MOTO.

SI DES RONDELLES EN CAOUTCHOUC SONT UTILISÉES POUR MAINTENIR LES COMPOSANTS SUR LES BOULONS, ELLES PEUVENT ÊTRE JETÉES.

**NOTICE DISPONIBLE AU TÉLÉCHARGEMENT SUR :**

[WWW.RG-RACING.COM](http://WWW.RG-RACING.COM)

R&G Racing

Unit 1, Shelley's Lane, East Worldham, Alton, Hampshire, GU34 3AQ

Tel: +44 (0)1420 89007 Fax: +44 (0)1420 87301 [www.rg-racing.com](http://www.rg-racing.com) Email: [info@rg-racing.com](mailto:info@rg-racing.com)

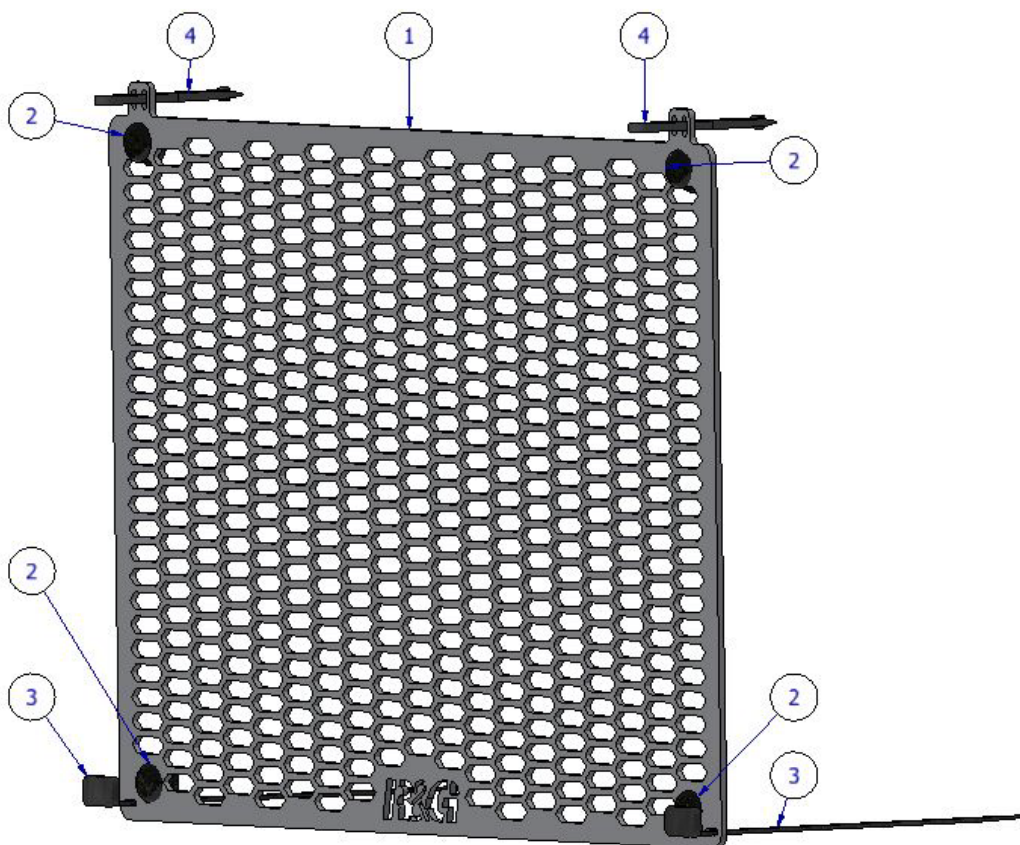


<b>OUTILS REQUIS</b>	<b>VALEURS DE SERRAGE</b>
<ul style="list-style-type: none"> <li>• COUPE FIL / CISEAUX</li> </ul>	M4 BOULON = 8Nm M5 BOULON = 12Nm M6 BOULON = 15Nm M8 BOULON = 20Nm M10 BOULON = 40Nm M12 BOULON = 40Nm

### **LÉGENDE**

<b>ARTICLE NO.</b>	<b>DESCRIPTION</b>	<b>QTÉ</b>
ARTICLE 1	PROTECTION RADIATEUR EN ALU (RAD0317PRO)	1
ARTICLE 2	BOUCHONS EN CAOUTCHOUC (RB0015)	4
ARTICLE 3	COLLIERS DE SERRAGE R&G (CT130)	4
ARTICLE 4	COLLIER DE SERRAGE (CT220)	4

### **SCHÉMA DE MONTAGE**



rg-racing

Unit 1, Shelley's Lane, East Worldham, Alton, Hampshire, GU34 3AQ

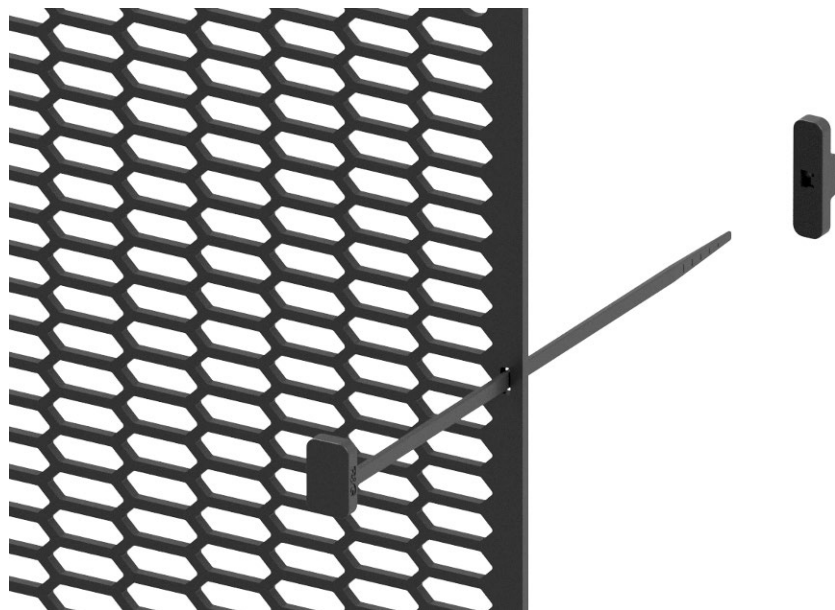
Tel: +44 (0)1420 89007 Fax: +44 (0)1420 87301 [www.rg-racing.com](http://www.rg-racing.com) Email: [info@rg-racing.com](mailto:info@rg-racing.com)



AVANT MOTO



**PHOTO DE MONTAGE**



**Placez les serre-câbles autour des deux supports en haut du radiateur et à travers les trous dans les coins inférieurs des ailettes..**



## **NOTICE DE MONTAGE**

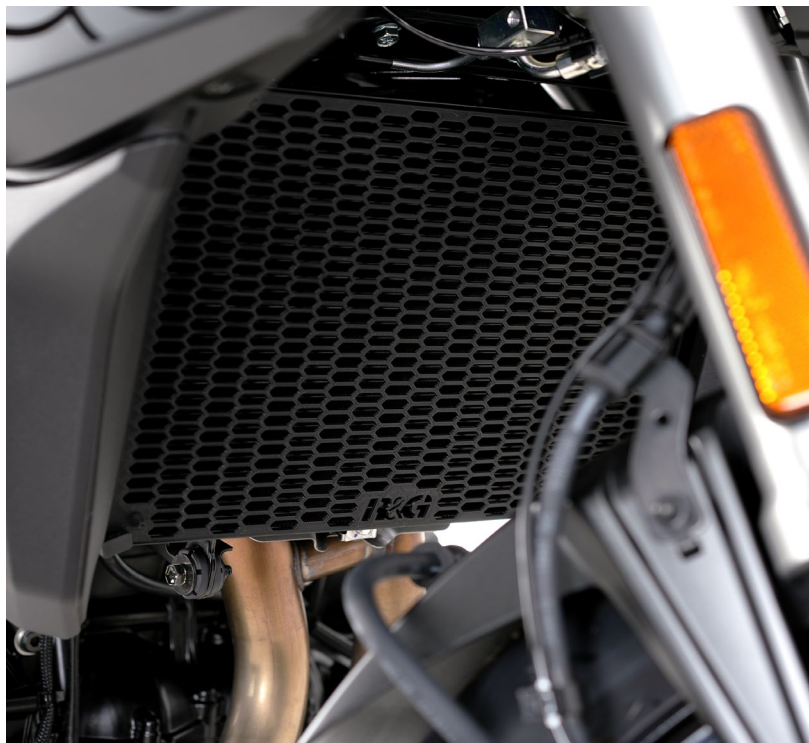
- Insérez les 4 œillets en caoutchouc dans la protection du radiateur dans les trous (comme indiqué ci-dessus) s'ils ne sont pas déjà installés.
- Faites glisser la protection radiateur R&G en position (COMME INDIQUÉ SUR L'IMAGE A À LA PAGE 1).
- Fixez en place à l'aide de 4 attaches de câble R&G fournies, comme indiqué dans l'image de montage ci-dessus, les attaches de câble doivent passer par les 4 trous (COMME INDIQUÉ SUR LE SCHÉMA D'ASSEMBLAGE).
- La partie de verrouillage du serre-câble doit être sécurisée derrière le radiateur ; pour ce faire il faudra probablement retirer les carénages pour accéder à l'arrière du radiateur. Veuillez vous référer au manuel du propriétaire pour savoir comment procéder.

ISSUE 1 - 30/08/2023 (JH)  
ISSUE 2 - 06/09/2023 (JH)





## **MONTAGEANLEITUNG FÜR RAD0317PRO**



**ABBILDUNG A**

**ALLE KIT-TEILE SIND AUF DEN NACHFOLGENDEN SEITEN ABGEBILDET UND GEKENNZEICHNET.**

DIE ABGEBILDETEN TEILE DIENEN LEDIGLICH ZUR ERKLÄRUNG.

ÜBERPRÜFEN SIE ZUERST, DASS ALLE TEILE VORHANDEN SIND.

**LESEN SIE DIE MONTAGEANLEITUNG KOMPLETT DURCH, BEVOR SIE ANFANGEN.**

**WENN SIE BEI DER MONTAGE DIESES PRODUKTES UNSICHER SIND, BITTE EINEN UNSERER HÄNDLER KONTAKTIEREN ODER DAS KIT VON EINEM QUALIFIZIERTEN ZWEIRAD-MECHANIKER MONTIEREN LASSEN.**

DIE VERPACKUNG DER TEILE STELLT NICHT DIE REIHENFOLGE DER MONTAGE DAR.

HINWEIS FÜR KITS MIT PLASTIKUNTERLEGSCHLEIBEN AN DEN SCHRAUBEN –  
DIESE PLASTIK-UNTERLEGSCHLEIBEN WERDEN NICHT FÜR DEN EINBAU BENÖTIGT.

**EINE DIGITALE VERSION DIESER MONTAGEANLEITUNG KANN AUF FOLGENDER SEITE HERUNTERGELADEN WERDEN:**

[WWW.RG-RACING.COM](http://WWW.RG-RACING.COM)

R&G Racing

Unit 1, Shelley's Lane, East Worldham, Alton, Hampshire, GU34 3AQ

Tel: +44 (0)1420 89007 Fax: +44 (0)1420 87301 [www.rg-racing.com](http://www.rg-racing.com) Email: [info@rg-racing.com](mailto:info@rg-racing.com)

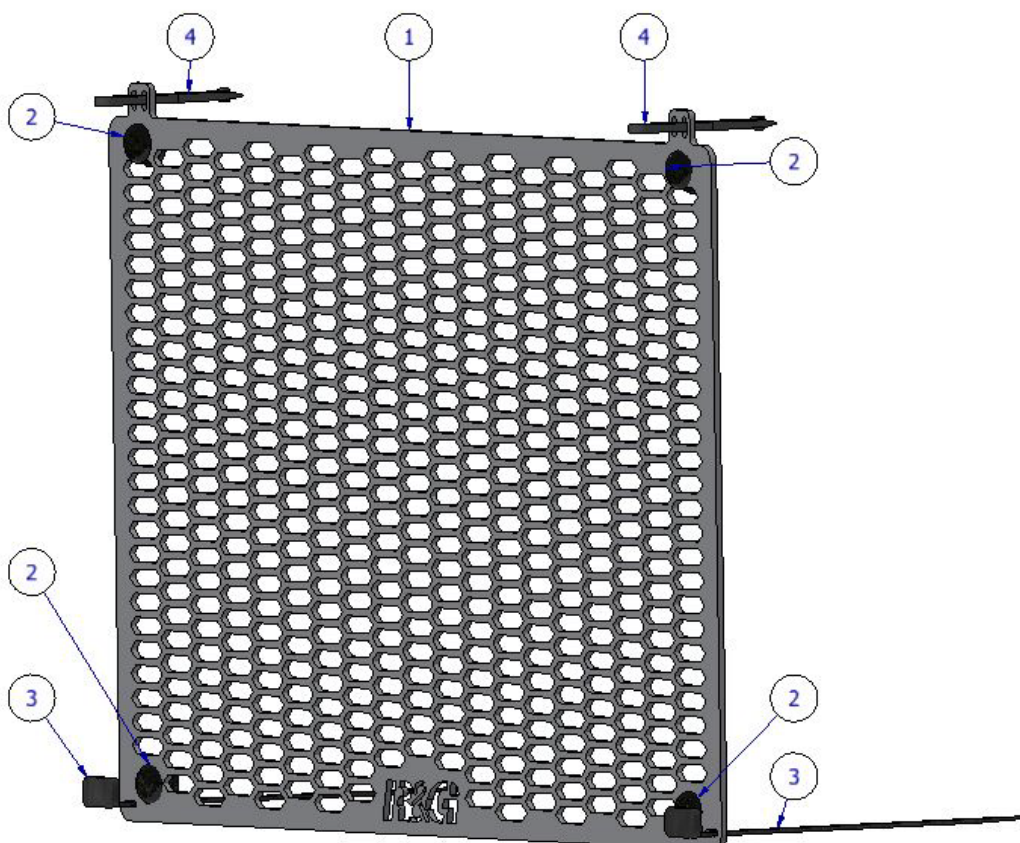


<p><b><u>SIE BENÖTIGEN FOLGENDES WERKZEUG:</u></b></p> <ul style="list-style-type: none"> <li>• SEITENSCHNEIDER /SCHERE</li> </ul>	<p><b><u>ALLGEM. ANZUGSDREHMOMENT</u></b></p> <p>M4 SCHRAUBE = 8Nm          M5 SCHRAUBE = 12Nm          M6 SCHRAUBE = 15Nm          M8 SCHRAUBE = 20Nm          M10 SCHRAUBE = 40Nm          M12 SCHRAUBE = 40Nm</p>
--	--

**LIEFERUMFANG**

ARTIKEL NR.	BESCHREIBUNG	MENGE
ARTIKEL 1	ALUMINIUM KÜHLERSCHUTZ (RAD0317PRO)	1
ARTIKEL 2	GUMMITSTOPFEN (RB0015)	4
ARTIKEL 3	R&G EINWEG-KABELBINDER (CT130)	4
ARTIKEL 4	KABELBINDER (CT220)	4

**MONTAGE - ZEICHNUNG**

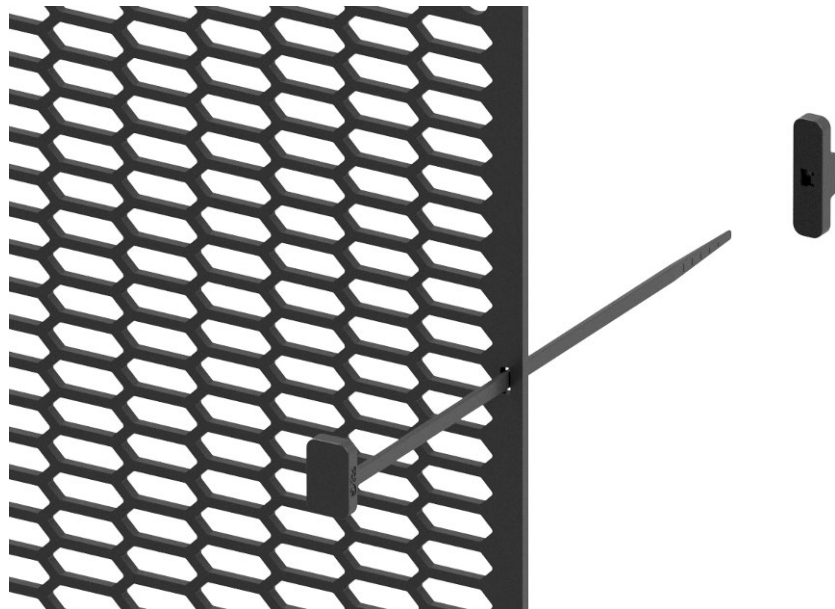




MOTORRAD VORNE



**MONTAGE - ABBILDUNG**



**Die Kabelbinder um die zwei Halterungen oben am Kühler wickeln und durch die Öffnungen in den unteren Ecken der Kühlerlamellen fädeln.**



## **MONTAGEANLEITUNG**

- Die 4 x Gummistopfen in die Öffnungen am Kühlerschutz einsetzen wie oben abgebildet, falls diese nicht vorinstalliert sind.
- Den R&G Kühlerschutz in Position (WIE IN DER ABBILDUNG AUF SEITE 1 ABGEBILDET).
- Mit den 4 x R&G Kabelbinder vom Kit in Position sichern wie in der Zeichnung Montage oben abgebildet. Die Kabelbinder durch die 4 x Öffnungen fädeln (WIE IN DER ABBILDUNG ZUSAMMENBAU ABGEBILDET).
- Die Verschlusskammer der Kabelbinder müssen von hinten am Kühler befestigt werden. Um dies auszuführen müssen Sie eventuell die Verkleidungen abmontieren, um Zugang zum Bereich hinter dem Kühler zu ermöglichen. Anweisungen und Hinweise zum Abbau der Verkleidungen finden Sie im Benutzerhandbuch vom Hersteller.

AUSGABE 1 – 30/08/2023 (JH)  
AUSGABE 2 – 06/09/2023 (JH)