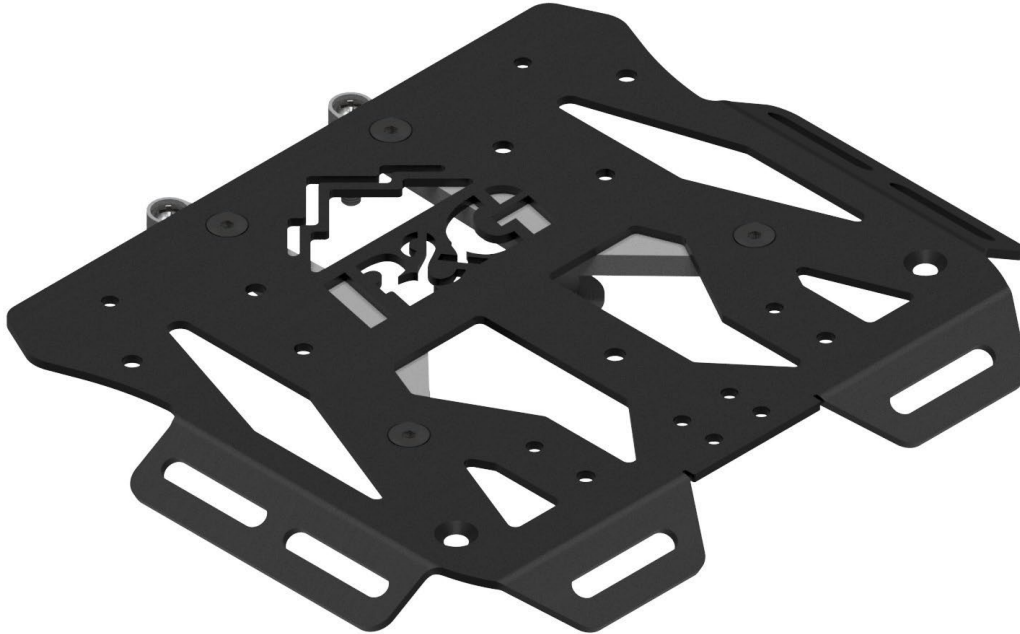




FITTING INSTRUCTIONS FOR AR0024



THIS KIT CONTAINS THE ITEMS PICTURED AND LABELLED OVER PAGE.

SOME PARTS MAY BE SHOWN FOR CLARITY OF INSTRUCTIONS ONLY.

DO NOT PROCEED UNTIL YOU ARE SURE ALL PARTS ARE PRESENT.

PLEASE READ ALL INSTRUCTIONS BEFORE PROCEEDING.

**IF IN ANY DOUBT WHEN FITTING OUR PRODUCTS, CONSULT ONE OF OUR DEALERS
OR HAVE FITTED BY A QUALIFIED TECHNICIAN.**

PLEASE NOTE THAT THE WAY THE KIT IS PACKED DOES NOT NECESSARILY REPRESENT THE WAY OF
MOUNTING TO THE BIKE.

IN THE EVENT OF RUBBER WASHERS BEING USED TO HOLD COMPONENTS ONTO BOLTS,
THESE RUBBER WASHERS CAN BE THROWN AWAY.

DIGITAL COPIES OF THESE INSTRUCTIONS ARE AVAILABLE FROM:

WWW.RG-RACING.COM

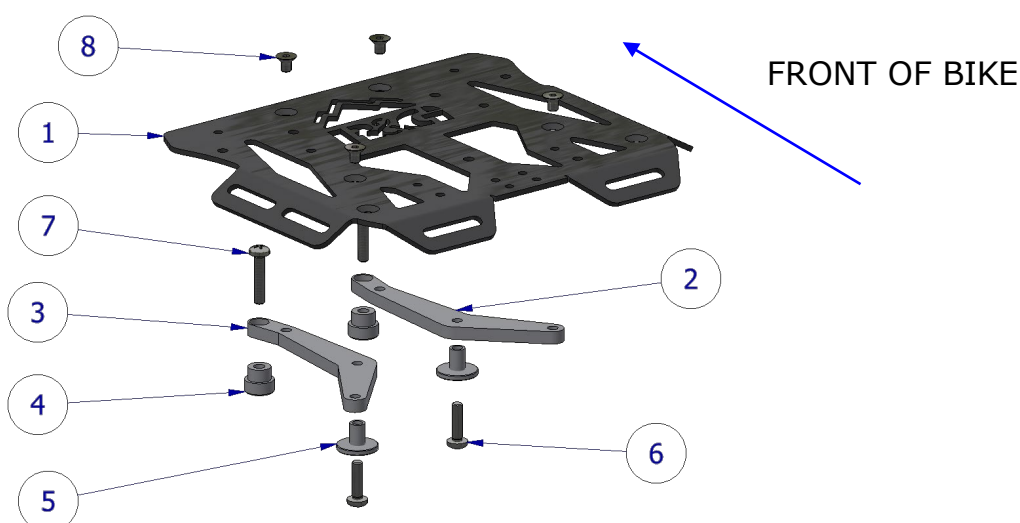


<u>TOOLS REQUIRED</u>	<u>GENERAL TORQUE SETTINGS</u>
<ul style="list-style-type: none"> 4mm & 5mm A/F ALLEN TOOL SOCKET SET LOCTITE BLUE 242 	M4 BOLT = 8Nm M5 BOLT = 12Nm M6 BOLT = 15Nm M8 BOLT = 20Nm M10 BOLT = 40Nm M12 BOLT = 40Nm

LEGEND

ITEM NO.	DESCRIPTION	QTY
ITEM 1	ADVENTURE RACK PLATE (SMW0226)	1
ITEM 2	ADAPTOR BRACKET RHS (M0783)	1
ITEM 3	ADAPTOR BRACKET LHS (M0782)	1
ITEM 4	SPACER (S1464)	2
ITEM 5	CLAMP SPACER (S1465)	2
ITEM 6	M8 x 30mm BUTTON HEAD BOLTS	4
ITEM 7	M8 x 40mm BUTTON HEAD BOLTS	4
ITEM 8	M8 x 12mm COUNTERSUNK BOLTS	4
ITEM 9	SELF ADHESIVE RUBBER (NOT SHOWN)	2

EXPLODED ASSEMBLY VIEW



R&G Racing

Unit 1, Shelley's Lane, East Worldham, Alton, Hampshire, GU34 3AQ

Tel: +44 (0)1420 89007 Fax: +44 (0)1420 87301 www.rg-racing.com Email: info@rg-racing.com



FITTING INSTRUCTIONS

- To begin, cut the adhesive rubber (**Item 9**) into strips and place on the UNDERSIDE of each of the adaptor plates.
- Bolt the adaptor plates (**Items 2 & 3**) and spacers (**Item 4**) to the OE rack (2x threaded holes) using the M8 x 40mm button head bolts (**Item 7**) as shown in the Assembly Diagram. It is a good idea to apply a drop of Loctite 242 to the bolts before installation in order to prevent them from coming loose due to vibration.
- Bolt the clamp spacers (**Item 5**) to the underside of the adaptor plates, using the 2x M8 x 30mm button head bolts (**Item 6**) through the two holes in the rack. Tighten until the rubber compresses against the OE rack, again it is advisable to apply Loctite 242 to the bolts before installation.
- Place the rack plate (**Item 1**) on top of the brackets and secure to the brackets with the M8 countersunk bolts (**Item 5**).

PLEASE NOTE:

- To fit a SHAD Terra topbox to the rack you will need R&G kit ARSHAD0001
- GIVI Trekker Outback topbox requires SW-Motech part no. GPT.00.152.35400/B
- SW-Motech TRAX ION/ADV/EVO requires SW-Motech part no. GPT.00.152.35100/B

ISSUE 1 - 26/05/2023 (MH)

CONSUMER NOTICE

The catalogue description and any exhibition of samples are only broad indications of the Products and R&G may make design changes which do not diminish their performance or visual appeal and supplying them in such state shall conform to the order. The Buyer acknowledges no representation or warranty (other than as to title) has been given or will apply to the Products other than those in R&G's order or confirmation and the Buyer confirms it has chosen the Products as being of merchantable quality and suitable for its particular purposes. Where R&G fits the Products or undertakes other services it shall exercise reasonable skill and care and rectify any fault free of charge unless the workmanship has been disturbed. The Buyer is responsible for ensuring that the warranty on the motorcycle is not affected by the fitting of the Products. On return of any defective Products R&G shall at its option either supply a replacement or refund the purchase money but shall not be liable if the Products have been modified or used or maintained otherwise than in accordance with R&G's or manufacturer's instructions and good engineering practice or if the defect arises from accident or neglect. Other than identified above and subject to R&G not limiting its liability for causing death and personal injury, it shall not be liable for indirect or consequential loss and otherwise its liability shall be limited to the amounts paid by the Buyer for the Products or the fitting or service concerned. These terms do not affect the Buyer's statutory rights.

R&G RACING RETURNS POLICY (NON-FAULTY GOODS)

Returns must be pre-authorized (if not pre-authorized the return will be rejected). Goods may only be returned direct to us if they were purchased direct from us (customer must prove if necessary). Otherwise to be returned to original vendor. Goods must be in re-sellable condition, in the opinion of R&G Racing. All returns are subject to a 25% restocking and handling fee (25% of the gross value exc. P&P - at the prevailing price at time of purchase). The customer must pay any and all carriage charges. No returns of discontinued products, unless within 14 days of purchase. This policy does not affect your statutory rights and does not refer to faulty goods.

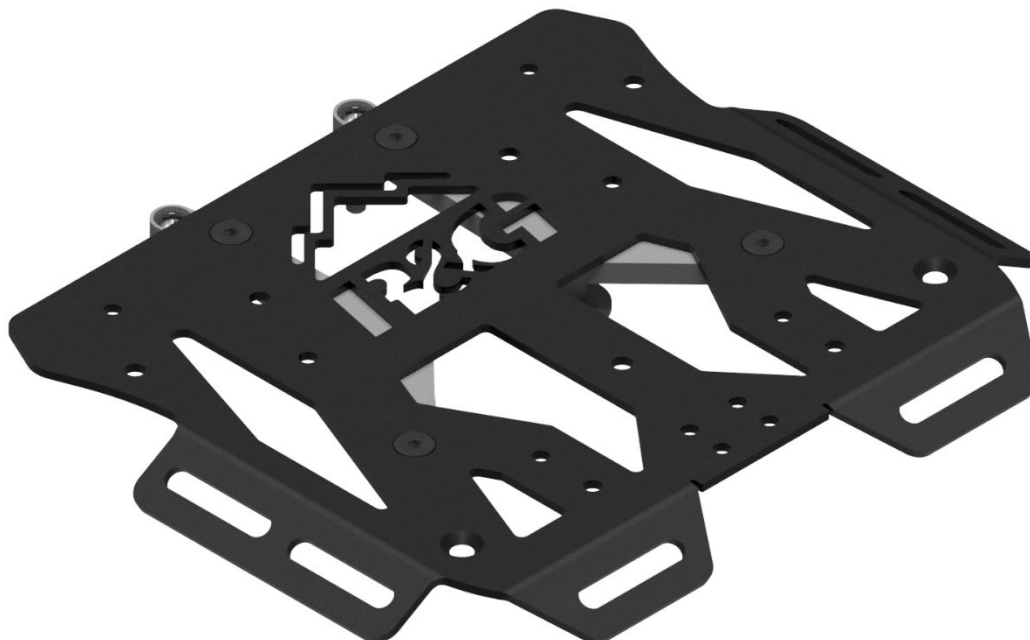
R&G Racing

Unit 1, Shelley's Lane, East Worldham, Alton, Hampshire, GU34 3AQ

Tel: +44 (0)1420 89007 Fax: +44 (0)1420 87301 www.rg-racing.com Email: info@rg-racing.com



NOTICE DE MONTAGE AR0024



CE KIT CONTIENT LES ARTICLES ILLUSTRÉS ET ÉTIQUETÉS SUR LA PAGE.

CERTAINES PARTIES PEUVENT ÊTRE PRÉSENTES UNIQUEMENT POUR LA CLARTÉ DES INSTRUCTIONS.

NE PAS PROCÉDER AU MONTAGE TANT QUE VOUS N'ÊTES PAS SÛR QUE TOUTES LES PIÈCES SOIENT PRÉSENTES.

VEUILLEZ LIRE TOUTES LES INSTRUCTIONS AVANT DE CONTINUER.

**EN CAS DE DOUTE LORS DU MONTAGE DE NOS PRODUITS, CONSULTEZ UN DE NOS
REVENDEURS OU FAITES APPEL À UN TECHNICIEN QUALIFIÉ.**

VEUILLEZ NOTER QUE LA FAÇON DONT LE KIT EST EMBALLÉ NE REPRÉSENTE PAS NECESSAIREMENT LA MANIÈRE DE
LE MONTER SUR LA MOTO.

SI DES RONDELLES EN CAOUTCHOUC SONT UTILISÉES POUR MAINTENIR LES COMPOSANTS SUR LES BOULONS,
ELLES PEUVENT ÊTRE JETÉES.

NOTICE DISPONIBLE AU TÉLÉCHARGEMENT SUR :
WWW.RG-RACING.COM

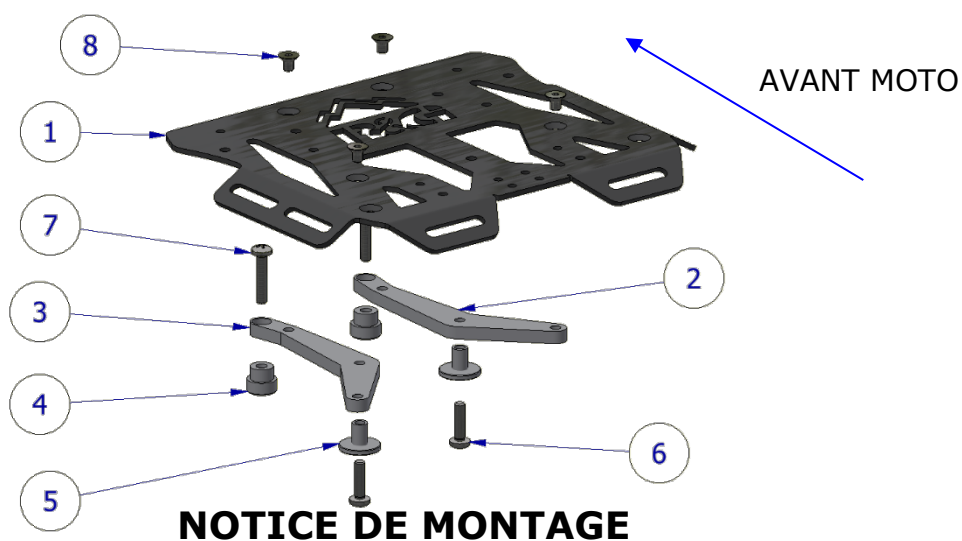


<u>OUTILS REQUIS</u>	<u>VALEURS DE SERRAGE</u>
<ul style="list-style-type: none"> • CLÉS ALLEN 4 & 5mm • CLÉ MÉTRIQUE / CLÉ & DOUILLE • LOCTITE BLUE 242 	M4 BOULON = 8Nm M5 BOULON = 12Nm M6 BOULON = 15Nm M8 BOULON = 20Nm M10 BOULON = 40Nm M12 BOULON = 40Nm

LÉGENDE

ARTICLE NO.	DESCRIPTION	QTÉ
ARTICLE 1	PLAQUE DE RACK AVENTURE (SMW0226)	1
ARTICLE 2	SUPPORT ADAPTATEUR CÔTÉ DROIT (M0783)	1
ARTICLE 3	SUPPORT ADAPTATEUR CÔTÉ GAUCHE (M0782)	1
ARTICLE 4	ENTRETOISE (S1464)	2
ARTICLE 5	ENTRETOISE DE SERRAGE (S1465)	2
ARTICLE 6	M8 x 30mm BOULONS	4
ARTICLE 7	M8 x 40mm BOULONS	4
ARTICLE 8	M8 x 12mm BOULONS	4
ARTICLE 9	CAOUTCHOUC AUTO-ADHÉSIF (NON INDIQUÉ)	2

VUE D'ENSEMBLE



R&G Racing

Unit 1, Shelley's Lane, East Worldham, Alton, Hampshire, GU34 3AQ

Tel: +44 (0)1420 89007 Fax: +44 (0)1420 87301 www.rg-racing.com Email: info@rg-racing.com



- Pour commencer, coupez le caoutchouc adhésif (article 9) en bandes et placez-les sur le DESSOUS de chacune des plaques d'adaptation.
- Vissez les plaques d'adaptation (articles 2 et 3) et les entretoises (article 4) au rack d'origine (2 trous filetés) à l'aide des boulons à tête ronde M8 x 40 mm (article 7) comme indiqué sur le schéma d'assemblage. Il est conseillé d'appliquer une goutte de Loctite 242 sur les boulons avant l'installation afin d'éviter qu'ils ne se desserrent à cause des vibrations.
- Vissez les entretoises de serrage (article 5) au-dessous des plaques d'adaptation, à l'aide des 2 boulons à tête ronde M8 x 30 mm (article 6) à travers les deux trous du rack. Serrez jusqu'à ce que le caoutchouc se comprime contre le rack d'origine. Là encore, il est conseillé d'appliquer du Loctite 242 sur les boulons avant l'installation.
- Placez la plaque de rack (article 1) sur les supports et fixez-la aux supports avec les boulons à tête fraisée M8 (article 5.).

NOTE:

- Pour monter un topcase SHAD Terra sur le porte-bagages, vous aurez besoin du kit R&G ARSHAD0001
- Le topcase GIVI Trekker Outback nécessite la référence SW-Motech GPT.00.152.35400/B
- Le topcase SW-Motech TRAX ION/ADV/EVO nécessite la référence SW-Motech GPT.00.152.35100/B

ISSUE 1 – 26/05/2023 (MH)

CONSUMER NOTICE

The catalogue description and any exhibition of samples are only broad indications of the Products and R&G may make design changes which do not diminish their performance or visual appeal and supplying them in such state shall conform to the order. The Buyer acknowledges no representation or warranty (other than as to title) has been given or will apply to the Products other than those in R&G's order or confirmation and the Buyer confirms it has chosen the Products as being of merchantable quality and suitable for its particular purposes. Where R&G fits the Products or undertakes other services it shall exercise reasonable skill and care and rectify any fault free of charge unless the workmanship has been disturbed. The Buyer is responsible for ensuring that the warranty on the motorcycle is not affected by the fitting of the Products. On return of any defective Products R&G shall at its option either supply a replacement or refund the purchase money but shall not be liable if the Products have been modified or used or maintained otherwise than in accordance with R&G's or manufacturer's instructions and good engineering practice or if the defect arises from accident or neglect. Other than identified above and subject to R&G not limiting its liability for causing death and personal injury, it shall not be liable for indirect or consequential loss and otherwise its liability shall be limited to the amounts paid by the Buyer for the Products or the fitting or service concerned. These terms do not affect the Buyer's statutory rights.

R&G RACING RETURNS POLICY (NON-FAULTY GOODS)

Returns must be pre-authorized (if not pre-authorized the return will be rejected). Goods may only be returned direct to us if they were purchased direct from us (customer must prove if necessary). Otherwise to be returned to original vendor. Goods must be in re-sellable condition, in the opinion of R&G Racing. All returns are subject to a 25% restocking and handling fee (25% of the gross value exc. P&P – at the prevailing price at time of purchase). The customer must pay any and all carriage charges. No returns of discontinued products, unless within 14 days of purchase. This policy does not affect your statutory rights and does not refer to faulty goods.

R&G Racing

Unit 1, Shelley's Lane, East Worldham, Alton, Hampshire, GU34 3AQ

Tel: +44 (0)1420 89007 Fax: +44 (0)1420 87301 www.rg-racing.com Email: info@rg-racing.com